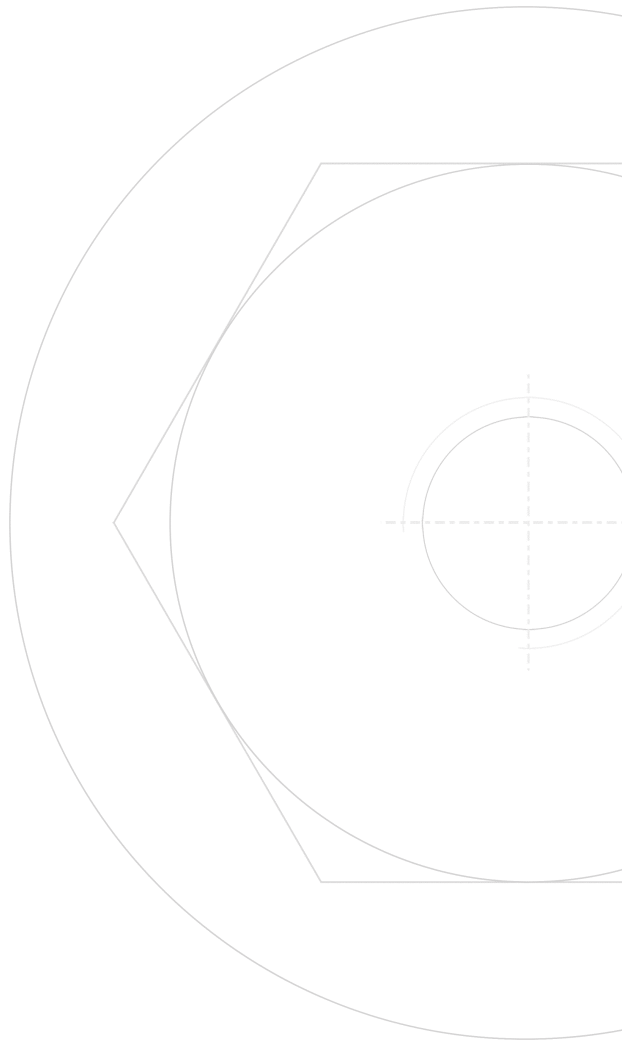


MANUALE D'USO E MANUTENZIONE
OPERATING AND MAINTENANCE MANUAL
MANUEL D'UTILISATION ET D'ENTRETIEN
HANDBUCH FÜR GEBRAUCH UND WARTUNG
MANUAL DE INSTRUCCIONES



DP 197 SFE



Thanks for choosing a PAOLI product.

*Behind your impact wrench you have
the capacity and the diligence of a company team
which is working all the days to be able to offer you
always powerful, reliable and long lasting products.*

*From the Pit Lanes to any businesses,
your success is our goal!*

Grazie per aver scelto un prodotto PAOLI.

*Dietro il vostro avvitatore ci sono
la capacità e l'impegno di un team aziendale
che lavora tutti i giorni per essere in grado di offrirvi sempre
dei prodotti potenti, affidabili e durevoli nel tempo.*

*Dalle Pit Lanes a ogni tipo di attività,
il vostro successo è il nostro obiettivo!*



DP 197 SFE

OPERATING AND MAINTENANCE MANUAL

Safe operation of this tool is possible only when the operating instructions are read completely and the instructions contained therein are strictly observed.

The addresses of these instructions are professionals trained.

*THESE INSTRUCTIONS MUST ALWAYS BE WITH THE IMPACT WRENCH.
KEEP THEM IN A SAFE PLACE.*

MANUALE D'USO E MANUTENZIONE

Per poter lavorare con l'avvitatore senza esporsi a situazioni di pericolo è necessario leggere completamente le presenti istruzioni per l'uso e rispettare rigorosamente le indicazioni ivi contenute. I destinatari di queste istruzioni sono operatori professionali adeguatamente formati.

*QUESTE ISTRUZIONI DEVONO SEMPRE ACCOMPAGNARE L'AVVITATORE.
CONSERVARE CON CURA.*

MANUEL D'UTILISATION ET D'ENTRETIEN

Travailler sans danger avec cet appareil n'est possible qu'à condition de lire intégralement la notice d'instructions et de suivre les instructions qui figurent dedans. Les destinataires de ces instructions sont des professionnels formés.

CES INSTRUCTIONS DOIVENT TOUJOURS ACCOMPAGNER LA CLÉ À CHOC. GARDER AVEC SOIN CE MODE D'EMPLOI.

HANDBUCH FÜR GEBRAUCH UND WARTUNG

Gefahrloses Arbeiten mit dem Gerät ist nur möglich, wenn Sie die Bedienungsanleitung vollständig lesen und die darin enthaltenen Anweisungen strikt befolgen. Die Empfänger dieser Anleitungen sind entsprechend geschulte Fachkräfte.

DIESE ANWEISUNGEN MÜSSEN IMMER MIT DEM SCHRAUBENDREHER SEIN. BITTE SORGFÄLTIG AUFBEWAHREN.

MANUAL DE INSTRUCCIONES

Para poder trabajar sin peligro con el aparato, debe Ud. leer completamente las instrucciones de manejo y seguir estrictamente las indicaciones allí descritas. Los destinatarios de estas instrucciones son operadores profesionales correctamente capacitados.

ESTAS INSTRUCCIONES TIENES QUE ACOMPAÑAR SIEMPRE LA LLAVE DE IMPACTO. CONSERVAR CON CUIDADO.

ALLEGATI • ATTACHMENTS

Schede Tecniche • Technical Charts

Elenco Ricambi • Spare Parts

Dati Tecnici • Technical Data

4

14

24

34

44

54

TECHNICAL DATA

DESCRIPTION

Portable air impact wrench designed for motorsport application (Best Practice: GT, Endurance).

LUBRICANT

Hammer mechanism lubrication: Special grease for Paoli air impact wrench hammer mechanism.

Air motor lubrication: Very fluid oil for air tools or Special oil for Paoli air impact wrench motors.

ENVIRONMENTAL CONDITIONS

Temperature: $-5^{\circ}\text{C} \div +45^{\circ}\text{C}$

Storage temperature: $0^{\circ}\text{C} \div +40^{\circ}\text{C}$

Air humidity: <80%

Max Altitude: 2000m from sea level

INTENDED USE

Assembly air tool for threaded fasteners in the pit stop service.

Weight (kg)	4,60
Length (mm)	200
Square drive	1"
Air inlet	3/8" BSP
Supply hose inside diameter	1/2" (13 mm)
Maximum free speed (RPM)	7.900** (at 20 bar)
Max weight recommended power socket (kg)	0,70
Operating air pressure (bar)	20 (maximum)
Ultimate torque* (Nm)	1.900**

AIR SUPPLY SYSTEM DIAGRAM

View figure Fig.3.

- ① It is allowed to use exclusively on industrial plants with compressed air.
- ① Make use of a supply system that observes the indicated pressure values (max 10% over the maximum value indicated) using an air pressure regulator supplied by a system observing the current safety standard, and that it is subjected to regular checks.
- ① The components of the supply system must be designed and constructed in accordance with the safety requirements contained in current international standards.
- ① Before any work on the supply system, always check that the line is depressurized (no air pressure).
- ① It is recommended to use a whip hose (flexible hose for compressed air with a minimum length of 46 cm (18 inch)) with a threaded male to connected to the air inlet of the wheel gun, and a male quick disconnect coupling at the other end.
- ① Fit a the whip hose to the air pressure regulator using a specific supply hose.
- ① Use a supply pipe of minimum inner diameter 13 mm (1/2 inch) suitable for its intended use.

* These performances have been obtained after having tested the wheel gun on a testing-bench, that is on fixed bolts, which have been tightened for 5 seconds. Please remind that, during the tightening/loosening on a GT or BTCC car's wheel hub you lose most of the torque, due to the hub's spin. Furthermore the performances change depending on the wheel gun's operating-time on each nut, reminding that the correct operating-time on one single nut is, on average, one second.

** DP 197-SFE Unhanded (UH) version: Maximum free speed is 7.500 RPM (at 20 bar) - Ultimate torque is 1.800 Nm.

GENERAL INSTRUCTIONS

- ① Wheel gun intended to be used for professional use by trained personnel and equipped with appropriate technical skills.
- ① Do not operate the wheel gun without the prescribed safety devices.
- ① The drive shaft of the wheel gun and the socket fixed to it may continue to rotate for a short time after the release of the trigger.
- ① Verify that the WARNING label (*view figure Fig.1-W*) is present and legible, otherwise replace it by applying new one in the original position.
- ① Do not use the wheel gun with the screws of the clutch cover (*view figure Fig.1-E*) or the motor cover (*view figure Fig.1-P*) loose or not tight enough (*see table Tab. A "Tightening Torques"*). If not tighten them with a torque wrench following the tightening sequence shown (*view figures Fig.2-E and Fig.2-F*).
- ① Pay attention to the exhaust coming out by the wheel gun during operation (*view figure Fig.2-B*). To avoid compromise the performance of the wheel gun, not obstructed in any case these holes of exhaust.

OPERATING INSTRUCTIONS

- ① Always use a wheel gun with the tightening torque corresponding to the one required by the application.
- ① Please pay attention to your wheel gun version:
 - the Fast Left Hand (LH) version loosens nuts tightened clockwise faster;
 - the Fast Right Hand (RH) version loosens nuts tightened anticlockwise faster;
 - the Unhanded (UH) version loosens at same speed both the nuts tightened clockwise and anticlockwise.
- ① In order not to compromise the functionality of the rotation reverse shaft, do not unscrew or loosen never the rotation reverser grub screw (*view figure Fig.2-C*).
- ① The standard adjustment of the force necessary for the translation of the rotation reverse shaft, and thus the reverse is already performed by Dino Paoli s.r.l.. A personalized set of this force is not possible (*view figure Fig.2-C*).
- ① The modes for the correct grip intended for use of the wheel gun is as follows (*view figure Fig.2-D*):
 - right hand grip on the gun body;
 - left hand grip on the surface of the hammer case.

Original operating instructions - The original language of these instructions is English.

TAB. A	TIGHTENING TORQUES	
Clutch Cover	M6 Screw	18 Nm
Motor Cover	M5 Screw	10 Nm

REGULATION OF THE AIR PRESSURE

- ① Before the use, always perform a dynamic adjustment of the supply air pressure (view figure Fig.5). Adjust the supply air pressure on the low pressure gauge turning the adjusting screw of the air pressure regulator while keeping the trigger pressed.
- ① Do not exceed the maximum supply air pressure of 20 bar (with wheel gun running).

HANDLING

- ① Slide the rotation reverse shaft (see figure Fig.1-I) and push the trigger (view figure Fig.1-C). See the figure Fig.4 to identify the rotation direction of the square drive.
- ① Avoid accidental starting, being careful not to unwittingly act on the trigger (view figure Fig1-C).

INSTALLATION OF ACCESSORIES

Before changing an accessory, always make sure that the air supply line is depressurized (no air pressure), and only after disconnecting the wheel gun and replace it. Use only accessories suitable for the job (view our catalogue for accessories).

Use only impact sockets with a hole for the locking pin.

Do not use chrome sockets or for manual use. Do not use square drive adapters (reductions or multiplies).

Always check that the locking pin of the socket is present and secured firmly. To install the wheel nut socket, proceed as follows:

- ① Mark each clutch cover with the wheel gun's serial number.
- ① Remove the four clutch cover (hammer case) screws, discard lock washers.
- ① Holding the 1" square drive, remove the anvil shank, clutch cover bearing and clutch cover from gun. Clutch spring should remain with clutch shaft, clutch plate and clutch housing. Retain the anvil shank, clutch cover bearing and clutch cover as an assembled unit.

① Using an appropriately sized aluminum block, support the 1" square drive from the bottom. This will provide the base for pressing the socket onto the square drive. Make sure the block is tall enough to allow clearance for the clutch cover.

① In ideal situations, an aluminum block should be machined to fit either the I.D. or the surface of the socket. This will be used for pressing the socket onto the square drive. Special attention must be taken to assure the inner O-ring groove (retention ring) is not damaged by a tool used on the socket I.D.. A tool used on the magnet surface (i.e. for wheel nut sockets with magnets) should also fit properly to prevent damage to the magnets. In certain situations a thick block of aluminum can be used to press directly on the teeth of the socket (i.e. for wheel nut sockets with fingers) for installation. This is not a recommended practice and should only be used when a proper press tool cannot readily be made.

- ① The sockets are designed to have a press fit on the 1" square drive. Sockets and 1" square drives should never be modified to allow a hand press fit or a slip on installation. Older sockets that slide freely on square drives should be replaced.
- ① **IMPORTANT:** If there are magnetic parts and rubber in the socket under no circumstances should it be heated to assist the installation onto the square drive. Heating the socket will compromise the magnet's holding power and destroys the epoxy bond that holds the magnets in the socket.
- ① Place anvil shank, clutch cover bearing and clutch cover on lower aluminum support block. Lubricate the square drive and internal square on socket with appropriate press fit lubricant. Most anti-seize, anti-galling compounds will work.
- ① Place the anvil shank along with the clutch cover assembly and support block in a press, adjust height accordingly.
- ① Align the cross holes for the socket pin on both the socket and square drive. Insert top press block in or on socket. Making sure the stacked assembly is square; begin pressing the assembly together using low pressure. As the socket is being installed it may be necessary to go to the high pressure setting on your hydraulic press.
- ① When the cross holes on the socket and square drive near alignment, install socket pin in socket. While applying side pressure to the pin continue to press the socket onto the square drive. When the holes are aligned the pin will slide through easily.
- ① Socket pins can be staked in one of two ways.
 - One is to use two 45 deg. center punches. Place one punch point up in vice jaws and clamp down. With the help of an assistant, position the socket pin in the center of the socket, place socket and pin on punch point in vice. Using a second punch and hammer strike the top of the socket pin. This action should be enough to stake both the top and the bottom of the pin, repeat operation if necessary.
 - The second method of staking socket pins is the use of a staking tool. A staking tool can easily be produced by incorporating a fixed bottom stake point, a square or "U" shaped yoke and a sliding top stake point or punch. This tool can be used with either a hammer or a press.
- ① After the socket pin has been staked, any part of the pin protruding out of the socket will need to be ground flush. This can be done with a right angle die grinder and a medium Scotch-Brite wheel. Avoid grinding any titanium surfaces of the socket. Pay close attention not to leave any rough or high points that may cause hand injury during use.
- ① Apply some of the metal strip on the outside diameter of the socket to coincide with the locking pin to prevent any unexpected slippage of the pin.
- ① Match coordinating clutch cover assemblies and guns. Re-install the socket and clutch cover assembly on wheel gun using the four screws and new lock washers.

MAINTENANCE INSTRUCTIONS

Before any maintenance, always make sure that the air supply of the wheel gun is depressurized (no air pressure), and only after unplugging the wheel gun and performing maintenance.

- ① Use only recommended lubricants.
- ① At regular intervals supply the wheel gun with the addition of lubricant (special oil for Paoli air impact wrench motors or very fluid oil for air tools), in order to keep the appliance efficient and to extend its service life. Place a few drops of oil in the air inlet of the wheel gun (*view figure Fig.2-A*).
- ① Ship the wheel gun back to the PAOLI facilities at least once per year for the complete overhauling.
- ① Do not carry out maintenance with improper tools, make use of the attached exploded drawing with the list of spare parts.
- ① Indicate the parts most subject to wear, to be dismantled and checked at regular intervals, as well as a list of malfunctions, if any, and the corrective action.
- ① Use only genuine spare parts and authorized service organizations.
- ① Before every race it is strongly recommended to clean the motor by introducing diesel oil (~10cc) through the air inlet, while keeping the trigger pressed; then running the wheel gun clockwise and anticlockwise (please pay attention to the exhaust coming out from the top of the wheel gun during this operation - *view figure Fig.2-B*). After the inside washing, repeat the previous operation with special oil for Paoli air impact wrench motors (~5cc) or very fluid oil for air tools. These operations must be performed in a suitably equipped working environment, complete with extraction equipment for nebulised particles. Use personal protective equipment.
- ① If the wheel gun is left unused for long periods we recommend putting some oil (special oil for Paoli air impact wrench motors) into the air inlet (*view figure Fig.2-A*) and letting it run for a few seconds before putting it away. In this way the internal components will remain lubricated.

SCRAPPING

Separate the components on the basis of the nature of the materials of which they are made. The components must be disposed of according to the laws in force.

CAUTION

When you use compressed air tools, always check that the safety regulations which apply in your workplace are respected, as well as those in the following instructions, in order to reduce the risk of environmental and personal damage.

- ▷ Wear safety glasses and hearing protection.
- ▷ If necessary, wear dust mask and gloves.
- ▷ Wear suitable working clothes and safety shoes.
- ▷ Do not use the tool continuously, do a break periodically

For operator safety:

Keep the work area clean. An untidy workplace or bench may cause personal damage.

Check the conditions of workplace. Check that the lighting is adequate. If the materials being worked produce sparks, do not use the tools in the presence of inflammable liquids, gases or material. Do not use the tool in potentially explosive atmospheres (ATEX).

Keep unauthorised persons at a safe distance. Do not let them touch the tools. Visitors should be kept away from the workplace.

Do not overload the tools. They will work better and in safe conditions if they are fitted with suitable tubing and are used at the pressure indicated in this manual.

Use the right tool. Check the conditions of the working tools (impact sockets, etc.) before each start-up and replace if damaged or worn.

Improper uses and absolutely forbidden:

- ▷ Use the tool for any purpose and uses different from that required in this manual
- ▷ Direct the tool or accessories against people or animals
- ▷ Use the tool or accessories like hammer, lever or blunt object

Wear suitable clothing. Do not wear clothing or jewellery which could get caught in moving parts. Protective gloves and non-slip safety shoes should be worn when working outside. Long hair should be kept in a hairnet.

Use personal protection. You should always wear noise-proof ear protection, safety goggles with de-mist screen, work gloves, filtered mouth mask and anything else necessary to prevent contact with harmful substances and sub-products of the working process.

Connection the power supply. This should always be done in respect of local safety regulations. In the case of compressed air, care should be taken to avoid whiplash (in case of tube breakage), or accidental unplugging, and the danger of short circuiting for electrical connections.

Risks of discharged air containing lubricator or residues. Avoid excessive lubrication and inhaling the discharged air; the work place should be equipped with conveyor ducts for the discharged air where necessary.

Check that the mains electricity supply complies with safety regulations and the requirements stated in the instructions manual before connecting up.

Connect the equipment for dust extraction. If the equipment for dust collection is included, check that these are connected to the tools and used correctly.

Check that the infeed tube is used correctly. Do not drag the tool connected to the power supply by pulling the tube. Keep the tube away from sources of heat and sharp objects.

Fasten the part to be worked. Use fastening devices to keep the part still. This is safer than using your hands and in this way they will both be free for working with the tool. Check that a firm resting point is always available and that the position is well-balanced.

Always keep a good grip on the handle of the tool, using special auxiliary devices where necessary. This will serve to reduce body vibration.



Accessories being operated. Do not touch parts and/or accessories of the tool which are moving or working.

Pay attention. Always pay attention to what are you doing. Proceed with care. Do not work when you are tired.

Look after the tools. Keep them clean and in good condition so that better results may be obtained safely. Never remove protection or silencers from the tool. Follow instructions for maintenance and for replacing the accessories.

Use and assembly of the accessories. This should be done according to the machine instructions manual. The use of accessories or assembly other than those recommended may cause personal harm.

Switch off the power supply. After each work session and before performing calibration, maintenance or replacement operations on the accessories such as impact sockets, etc., you are recommended to switch off the power supply to the tool.

Remove the service keys. Before using the tools, always check that the service or adjusting key has been removed.

Check damaged parts. When the goods are received, check that the packaging is intact and there are no signs of knocks or tampering. Before

using the tool, carefully check that the safety device and other parts are in perfect working conditions. Check that the moving parts are not damaged, that they are free to move, and check any other conditions that could limit the operation of the tool. A damaged protective device or other component must be replaced or repaired by an authorised Servile Centre unless otherwise indicated in this manual.

The tool does not emit non-ionizing radiation.

IMPORTANT. The use of accessories and spare parts other than those recommended in this manual may cause personal harm.

Do not alter any element of the machine or remove protective or safety devices, or elements for checking the outgoing air flow (filters, deflectors, etc.) without explicit authorisation from PAOLI.

Stop work immediately should vibrations or strange noises occur, or if the tool starts operating differently.

The tool should be repaired by a qualified personnel. This compressed air tool complies with current safety regulations. Repairs must be done by qualified personnel, using original spare parts, otherwise serious harm may be caused to the operator.

LIST OF RESIDUAL RISKS

- o Moving parts
- o Rotating elements
- o Parts with edge
- o High pressure
- o High temperature parts
- o Noise during the use
- o Vibrations transmitted to the hand-arm
- o Materials or substances
- o Low visibility
- o Low-light
- o Ambient temperature
- o Repetitive action + noise + environmental high-temperature

PACKAGE

The tool is delivered inside a carton box, protected with anti-vibration material.

Together with the impact wrench inside the box, you will find the manual of use and

maintenance, the declaration of conformity, other accessories and lubricants indicated in this manual of use and maintenance.

PROBLEM SOLVING

PROBLEM	CAUSE	REMEDY
The shaft does not rotate	Start lever tool not fully pressed	Press the start lever
	The pressure or the capacity of the line air alimentation is inadequate or nil	Check the line of air alimentation
	Temperature too low	Operate in an environment with higher temperature
	Tool failure	Contact an authorized service center
	Position of the inverter incorrect	Replace the inverter of rotation
Performance Drop	Start lever tool not fully pressed	Press the start lever
	The pressure or the capacity of the line air alimentation is inadequate or nil	Check the line of air alimentation
	Absence of lubrication	Read the instructions and lubricated the tool
	Dirty filter	Clean the filter
	Position of the inverter incorrect	Replace the inverter of rotation
	Tool failure	Contact an authorized service center
The tool vibrates abnormally	The tool is not well supported to the nut	Rest well the socket on the nut
	The accessories are not connected properly	Connect correctly accessories
	The accessories are worn	Replace the accessories
	Tool failure	Contact an authorized service center
The shaft does not stop despite the start lever is not pressed	Start lever jammed	Disconnect the power supply

EC DECLARATION OF CONFORMITY

Individual machine

We

DINO PAOLI S.R.L. - Via G. Dorso, 5 - 42124 Reggio Nell'Emilia (Re) - Italy

declare under our sole responsibility that the product:

Machine Type

DP 197 SFE

Air impact wrench

TECHNICAL DATA

View Attachments Section

SERIAL NO.

View back cover

to which this declaration relates, is in conformity with the requirements of the Machinery Directive 2006/42/EC

Name and address of the person authorized to draw up the technical file

Name: **Dr. Federico Galloni**

Address: **DINO PAOLI S.R.L. - Via G. Dorso, 5 - 42124 Reggio Nell'Emilia (Re) - Italy**

Name and position of issuer:

Il Direttore / Managing Director

Dr. Federico Galloni



Reggio nell'Emilia (RE) - Italy - December 11, 2015

TERMS AND CONDITIONS OF THE MANUFACTURER'S LIMITED WARRANTY

The terms and conditions of the warranty provided by DINO PAOLI S.r.l. are:

- o A warranty period of twelve months from the date of purchase, limited to demonstrable defects in materials or manufacture. The receipt must be provided as proof of the date of purchase. In the case of an impact wrench, the registration number of the impact wrench must also be provided.
- o DINO PAOLI s.r.l. may not be held liable, and will not accept any claims, for damages caused by improper use that does not comply with the manufacturer's instructions.
- o The warranty is not valid if the product has been used in a manner that does not comply with the manufacturer's instructions. The warranty is not valid if the product has been repaired by personnel who have not been specifically authorised by DINO PAOLI s.r.l.
- o Technical interventions during the warranty period do not extend or renew said warranty period; said repairs or replacements are guaranteed for the remaining period of the original warranty.
- o Complete replacement of the product is not envisaged, except for a clear defect that has been reported within eight days of receiving the product. In contrast, we will replace under warranty the components necessary to restore its correct functioning, including labour.
- o Any replacement of components under warranty is at the sole discretion of DINO PAOLI s.r.l., after it has received them. The replaced components will remain the property of DINO PAOLI s.r.l.
- o The product may be delivered to a centre authorised by DINO PAOLI s.r.l., which will deal with the product. A list of authorised centres is available at the e-mail address sales@paoli.net. Alternatively, the product may be sent to DINO PAOLI s.r.l., but the shipping costs will not be paid by DINO PAOLI s.r.l.

DATI TECNICI

DESCRIZIONE

Avvitatore portatile pneumatico ad impulsi progettato per applicazione motorsport (Indicato per: GT, Endurance).

LUBRIFICAZIONE

Lubrificazione masse battenti: Grasso speciale per le masse battenti degli avvitatori Paoli.
Lubrificazione motore pneumatico: Olio molto fluido per utensili pneumatici od Olio speciale per il motore degli avvitatori Paoli.

CONDIZIONI AMBIENTALI

Temperatura di utilizzo: -5°C ÷ +45°C
Temperatura di stoccaggio: 0°C ÷ +40°C
Umidità dell'aria: <80%
Altitudine max: 2000m dal livello del mare

USO PREVISTO

Utensile per l'assemblaggio di elementi di collegamento filettati nei servizi di pit-stop.

Peso (kg)	4,60
Lunghezza (mm)	200
Attacco quadro	1"
Entrata aria	3/8" BSP
Diametro interno tubo alimentazione	1/2" (13 mm)
Massima velocità a vuoto (RPM)	7.900** (a 20 bar)
Massimo peso raccomandato per la chiave a bussola (kg)	0,70
Pressione pneumatica di utilizzo (bar)	20 (massima)
Coppia Massima* (Nm)	1.900**

SCHEMA IMPIANTO DI ALIMENTAZIONE ARIA

Vedi figura Fig.3.

- ① E' consentito l'uso esclusivamente su impianti industriali ad aria compressa.
- ① Servirsi di un impianto di alimentazione che rispetti i valori di pressione indicati (max. 10% in più del valore massimo indicato) utilizzando un riduttore di pressione alimentato da un impianto che rispetti le vigenti norme di sicurezza, e che sia sottoposto a controlli periodici.
- ① I componenti dell'impianto di alimentazione devono essere progettati e costruiti in conformità alle prescrizioni di sicurezza contenute nelle normative internazionali vigenti.
- ① Prima di un qualsiasi intervento sull'impianto, verificare sempre che la linea sia depressurizzata (assenza di pressione pneumatica).
- ① Si raccomanda di usare un tubo frusta (tubo flessibile per aria compressa con una lunghezza minima di 46 cm (18")) con un attacco filettato, da avvitare all'ingresso aria dell'avvitatore, ed attacco rapido maschio all'altro estremo.
- ① Collegare il tubo frusta al riduttore di pressione mediante uno specifico tubo di alimentazione.
- ① Usare un tubo di alimentazione del diametro interno di almeno 13 mm (1/2") idoneo all'utilizzo previsto.

* Queste prestazioni sono state ottenute dopo aver testato l'avvitatore su di un banco prova, che è dotato di bulloni fissi, che sono stati serrati per 5 secondi. Si ricorda che, durante l'avvitamento/svitamento su di un mozzo della ruota di una vettura di GT o BTCC si perde la maggior parte della coppia, a causa della rotazione del mozzo. Inoltre le prestazioni cambiano a seconda del tempo di funzionamento dell'avvitatore su ogni dado, ricordando che il corretto tempo di funzionamento su un singolo dado è, in media, un secondo.

** DP 197 SFE versione Non Differenziata (UH): Massima velocità a vuoto è pari a 7.500 RPM (a 20 bar) - Coppia massima è pari a 1.800 Nm.

AVVERTENZE GENERALI

- ① Avvitatore destinato ad essere utilizzato per uso professionale da personale specializzato addestrato e dotato di appropriate competenze tecniche.
- ① Non utilizzare l'avvitatore senza i prescritti dispositivi di sicurezza.
- ① L'albero porta-bussola dell'avvitatore e la chiave a bussola ad esso fissato potrebbero continuare a ruotare per breve tempo dopo il rilascio della leva di avviamento.
- ① Verificare che l'adesivo di WARNING (vedi figura Fig.1-W) sia presente e leggibile, in caso contrario sostituirlo applicandone uno nuovo nella posizione originale.
- ① Non utilizzare l'avvitatore con le viti di serraggio del coperchio masse battenti (vedi figura Fig.1-E) o del coperchio motore (vedi figura Fig.1-P) allentate o non sufficientemente serrate (vedi tabella Tab. A "Coppie di Serraggio"). In caso contrario serrarle adeguatamente con una chiave dinamometrica seguendo l'ordine di serraggio indicato (vedi figure Fig.2-E e Fig.2-F).
- ① Prestare attenzione all'aria di scarico che fuoriesce dall'avvitatore durante il funzionamento (vedi figura Fig.2-B). Per non compromettere le prestazioni dell'avvitatore non ostruire in nessun caso tali fori di scarico.

GUIDA ALL'USO

- ① Usare sempre un avvitatore con la coppia di serraggio corrispondente a quella richiesta dall'applicazione.
- ① Prestare attenzione alla versione del tuo avvitatore:
 - o la versione Veloce Sinistro (LH) svita più velocemente i dadi avvitati in senso orario;
 - o la versione Veloce Destro (RH) svita più velocemente i dadi avvitati in senso antiorario;
 - o la versione Non Differenziata (UH) svita alla stessa velocità sia i dadi avvitati in senso orario che antiorario.
- ① Per non compromettere la funzionalità dell'invertitore, non svitare od allentare mai il grano di fermo invertitore (vedi figura Fig.2-C).
- ① La regolazione standard della forza necessaria per la traslazione dell'invertitore, e dunque per l'inversione di marcia risulta già eseguita da Dino Paoli s.r.l.. Una taratura personalizzata di tale forza non è possibile (vedi figura Fig.2-C).
- ① La modalità di presa corretta prevista per l'utilizzo dell'avvitatore è la seguente (vedi figura Fig.2-D):
 - o mano destra in presa sull'impugnatura principale;
 - o mano sinistra in presa di appoggio sul coperchio masse battenti.

Traduzione dalle istruzioni originali - La lingua ufficiale di queste istruzioni è l'inglese.

TABELLA A	COPPIE DI SERRAGGIO	
Coperchio masse battenti	Vite M6	18 Nm
Coperchio motore	Vite M5	10 Nm

REGOLAZIONE DELLA PRESSIONE D'ARIA

- ① Prima dell'uso, eseguire sempre una regolazione in dinamico della pressione di alimentazione (vedi figura Fig.5). Regolare la pressione dell'aria di alimentazione, indicata sul manometro di bassa pressione, ruotando la vite di regolazione del riduttore di pressione, mantenendo premuta la leva di avviamento.
- ① Non superare il limite massimo di 20 bar di pressione dell'aria di alimentazione (con avvitatore in funzione).

GESTIONE DEI COMANDI

- ① Traslare l'invertitore (vedi figura Fig.1-I) e premere la leva di avviamento (vedi figura Fig.1-C). Vedere la figura Fig.4 per identificare il verso di rotazione dell'albero porta-bussola.
- ① Evitare gli avvii accidentali, prestando attenzione a non agire involontariamente sulla leva di avviamento (vedi figura Fig.1-C).

MONTAGGIO DEGLI ACCESSORI

Prima di cambiare un accessorio, accertarsi sempre che la linea di alimentazione pneumatica dell'avvitatore sia depressurizzata (assenza di pressione pneumatica), e solo dopo scollegare l'avvitatore e procedere alla sostituzione.

Utilizzare solo accessori adatti per il lavoro da svolgere (consultare il nostro catalogo accessori).

Utilizzare esclusivamente chiavi a bussola ad impulso con foro per la spina di ritegno.

Non utilizzare bussole cromate o per uso manuale.

Non utilizzare adattatori di quadro (riduzioni o moltipliche).

Controllare sempre che la spina di ritegno della chiave a bussola sia presente e fissata stabilmente.

Per installare una chiave a bussola, procedere come segue:

- ① Contrassegnare ogni coperchio masse battenti con il numero di matricola dell'avvitatore.

- ① Rimuovere le quattro viti del coperchio masse battenti, e scartare le rondelle.

- ① Afferrandolo per l'attacco quadro, rimuovere l'albero porta-bussola, il cuscinetto del coperchio masse battenti e il coperchio masse battenti dell'avvitatore. La molla disinnesto deve rimanere con l'albero scanalato, l'innesto ed il volano. Conservare l'albero porta-bussola, il cuscinetto del coperchio masse battenti ed il coperchio masse battenti come gruppo montato.

- ① L'utilizzo di un blocco di alluminio, di dimensioni adeguate, sosterrà l'attacco quadro dal basso. Ciò fornirà la base per la pressatura della chiave a bussola sull'attacco quadro. Assicurarsi che il blocco sia abbastanza alto per lasciare spazio sufficiente per il coperchio masse battenti.

- ① In situazioni ideali, un blocco di alluminio deve essere lavorato per adattarsi sia al diametro interno sia alla superficie della bussola. Questo sarà usato per premere la bussola sull'attacco quadro. Particolare attenzione deve essere posta per assicurare che l'anello OR interno (anello di ritegno) non si danneggi con l'utensile usato sul diametro interno della bussola. L'utensile usato sulla superficie dei magneti (es. per chiavi a bussola con magneti) deve anche adattarsi correttamente per evitare di danneggiare i magneti. In alcune situazioni uno spesso blocco di alluminio può essere usato per l'installazione, per premere direttamente sui denti della bussola (es. per chiavi a bussola con dentelli). Questa non è una procedura raccomandabile e dovrebbe essere adottata solamente quando uno strumento adatto a premere non possa essere prontamente realizzato.
- ① Le chiavi a bussola sono progettate per avere un inserimento a pressione nell'attacco quadro. Le chiavi a bussola e gli attacchi quadri non dovrebbero mai essere modificati per permettere un inserimento a mano o un'installazione libera. Le vecchie chiavi a bussola che scorrono liberamente sul quadro dovrebbero essere sostituite.
- ① **IMPORTANTE:** Se nella chiave a bussola ci sono parti magnetiche e di gomma, in nessun caso deve essere riscaldata per favorire il suo inserimento sull'attacco quadro. Riscaldando la bussola si comprometterà la capacità di tenuta del magnete e si distruggerà l'epossidico che trattiene i magneti nella bussola.
- ① Posizionare l'albero porta-bussola, il cuscinetto del coperchio masse battenti e il coperchio masse battenti su un blocco sottile di supporto in alluminio. Lubrificare l'attacco quadro e il quadro interno della chiave a bussola con un adeguato lubrificante per il montaggio a pressa. Sono adatti la maggior parte dei composti anti-grippanti e antiusura.
- ① Posizionare l'albero porta-bussola assieme al coperchio masse battenti completo ed al blocco di supporto in una pressa, regolando l'altezza di conseguenza.
- ① Allineare i fori trasversali per la spina di ritegno della bussola e dell'attacco quadro. Posizionare la chiave a bussola sopra il blocco da pressare. Assicurarsi che il gruppo impiato sia allineato; iniziare pressando il gruppo insieme con una pressione ridotta. In fase di installazione può essere necessario regolare la pressa idraulica con una pressione superiore.
- ① Quando i fori trasversali della chiave a bussola e dell'attacco quadro sono prossimi all'allineamento, inserire la spina nella bussola. Mentre si applica una pressione laterale sulla spina, continuare a premere la bussola sull'attacco quadro. Quando i fori saranno allineati, la spina si inserirà con facilità.
- ① Le spine di ritegno delle bussole possono essere inserite in uno dei due modi.
 - Il primo è quello di utilizzare due punzoni con estremità a punta di 45°. Posizionare il primo punzone con la punta rivolta verso l'alto nelle ganasce di una morsa e dare un giro di vite. Con l'aiuto di un assistente, posizionare la spina nel foro della bussola, disporre la bussola e la spina sulla punta del primo punzone fisso nella morsa. Usando il secondo punzone ed un martello colpire la parte superiore della spina della bussola. Questa azione dovrebbe essere sufficiente sia per la parte superiore che inferiore della spina, ripetere l'operazione se necessario.
 - Il secondo metodo di inserimento delle spine delle bussole è tramite l'uso di un utensile speciale. Tale utensile di inserimento può essere facilmente realizzato usando un blocchetto inferiore fisso con punta, una staffa quadra o "ad U" e un blocchetto superiore scorrevole con punta o punzone. Questo utensile può essere usato sia con un martello che con una pressa.

- ① Dopo che la spina di ritegno della bussola è stata inserita, dovrà essere eliminata ogni sua parte sporgente dalla bussola. Per far ciò usare una smerigliatrice angolare con disco abrasivo medio. Evitare di rettificare le superfici in titanio della bussola. Prestare attenzione a non lasciare zone grezze o spigoli che possano causare ferite alle mani durante l'uso.
- ① Applicare un giro di nastro metallico sul diametro esterno della bussola in coincidenza della spina di ritegno per prevenire ogni imprevisto sfilamento della spina.
- ① Abbinare ogni gruppo coperchio masse battenti ai rispettivi avvitatori. Rimontare il gruppo bussola con coperchio masse battenti sull'avvitatore usando quattro viti e rondelle nuove.

MANUTENZIONE

Prima di ogni manutenzione accertarsi sempre che la linea di alimentazione pneumatica dell'avvitatore sia depressurizzata (assenza di pressione pneumatica), e solo dopo scollegare l'avvitatore e procedere alla manutenzione.

- ① Usare solo lubrificanti raccomandati.
- ① Ad intervalli regolari alimentare con l'aggiunta di lubrificante (olio speciale per i motori degli avvitatori Paoli od olio molto fluido per utensili pneumatici), al fine di mantenere l'utensile in efficienza e di prolungarne la vita. Mettere qualche goccia di olio nell'ingresso aria dell'avvitatore (*vedi figura Fig.2-A*).
- ① Rispedire l'avvitatore alle strutture PAOLI almeno una volta all'anno per la revisione completa.
- ① Non eseguire interventi di manutenzione con attrezzi impropri, servirsi dell'allegato disegno esploso con lista dei ricambi.
- ① Indicare le parti più soggette ad usura, da smontare e controllare ad intervalli regolari, nonché l'eventuale lista di malfunzionamenti ed azioni di correzione.
- ① Usare solo ricambi originali e servirsi solo di organizzazioni di servizio autorizzate.
- ① Prima di ogni gara è fortemente raccomandato pulire il motore introducendo gasolio (~10cc) nell'ingresso aria, mantenendo premuta la leva di avviamento; quindi far funzionare l'avvitatore in senso orario ed antiorario (prestare attenzione all'aria di scarico che fuoriesce dall'avvitatore durante questa operazione - *vedi figura Fig.2-B*). Dopo il lavaggio interno, ripetere quindi l'operazione con olio speciale per i motori degli avvitatori Paoli (~5cc) od olio molto fluido per utensili pneumatici. Queste operazioni vanno eseguite in un ambiente idoneo, predisposto per l'aspirazione delle particelle nebulizzate. Usare opportuni dispositivi di protezione individuale.
- ① Se l'avvitatore viene lasciato inattivo per lunghi periodi, è opportuno introdurre olio (olio speciale per i motori degli avvitatori Paoli) nell'ingresso dell'aria (*vedi figura Fig.2-A*) e farlo funzionare per qualche secondo prima di riporlo. Le parti interne resteranno così lubrificate.

DEMOLIZIONE

Separare i componenti in base alla natura dei materiali di cui sono composti. Lo smaltimento dei componenti deve avvenire nel rispetto delle normative vigenti.

ATTENZIONE

Quando utilizzate utensili pneumatici rispettate sempre le norme di sicurezza previste nel vostro ambiente di lavoro, e le seguenti istruzioni, per ridurre il rischio di danni ambientali e personali.

- ▷ Portare occhiali e cuffie di protezione.
- ▷ In caso di necessità, portare la maschera protettiva e mettere i guanti.
- ▷ Indossare indumenti da lavoro indicati e scarpe di sicurezza adatte.
- ▷ Non utilizzare l'utensile in modo continuativo, prevedere periodicamente una pausa.

Per la sicurezza dell'operatore:

Mantenere l'area di lavoro ben pulita. L'area di lavoro o il banco in disordine possono causare danni personali.

Considerare le condizioni del luogo di lavoro. Assicurarsi di avere l'illuminazione adatta. Se i materiali lavorati producono scintille, non utilizzate gli utensili in presenza di liquidi, gas, o materiali infiammabili. Non utilizzate l'utensile in atmosfere potenzialmente esplosive (ATEX).

Mantenere gli estranei lontano. Non lasciare che persone estranee tocchino gli utensili. Tutti i visitatori devono essere tenuti lontano dall'area di lavoro.

Non sovraccaricare gli utensili. Questi svolgeranno meglio il lavoro ed in condizioni di sicurezza se alimentati con tubi adatti ed alla pressione indicata nel presente manuale.

Usare l'utensile adatto. Controllare lo stato di usura degli utensili di lavoro (bussole, ecc.), prima di ogni avviamento e sostituirli se danneggiati o usurati.

Usi impropri, è assolutamente vietato:

- ▷ Usare l'utensile per scopi ed utilizzi differenti da quello previsto dal presente manuale
- ▷ Rivolgere l'utensile o i gli accessori contro persone o animali
- ▷ Utilizzare l'utensile o i gli accessori come martello, leva o oggetto contundente

Indossare abiti appropriati. Non usare vestiti larghi o gioielli, che potrebbero impigliarsi in parti in movimento. Si raccomanda di indossare guanti protettivi, scarpe antinfortunistiche e antiscivolo quando si lavora in ambienti esterni. Con capelli lunghi usare l'apposita cuffia.

Usare protezioni personali. Usare regolarmente cuffie antirumore, occhiali protettivi a mascherina antiappannante, guanti da lavoro, mascherina a facciale filtrante e quanto necessario ad evitare il contatto con sostanze nocive e sottoprodotti di lavorazione.

Collegamento alla rete di alimentazione. Deve essere sempre effettuato nel rispetto delle norme di sicurezza locali avendo cura, nel caso dell'aria compressa, di evitare colpi di frusta (in caso di rottura del tubo), o scollegamenti accidentali, ed il pericolo di corto circuito per i collegamenti elettrici.

Rischi aria di scarico contenente lubrificante o residui. Evitare una lubrificazione eccessiva e l'inalazione dell'aria di scarico; l'area di lavoro deve essere ben ventilata ed eventualmente dotata di convogliatori per l'aria di scarico.

Verificare la conformità della rete di alimentazione ai requisiti di sicurezza ed alle prescrizioni contenute nel manuale istruzioni prima di effettuare il collegamento.

Collegare l'attrezzatura per l'aspirazione di polveri. Se sono previste attrezzature per la raccolta della polvere, assicurarsi che siano collegate agli utensili ed usate correttamente.

Usare correttamente il tubo di alimentazione. Non trascinare l'utensile collegato all'alimentazione tirandolo per il tubo. Mantenere il tubo lontano da fonti di calore e da oggetti taglienti.

Bloccare il pezzo da lavorare. Utilizzare dispositivi di bloccaggio per bloccare il pezzo. E' più sicuro che usare le mani ed in questo modo entrambe saranno libere per operare con l'utensile. Assicurarsi di avere in qualsiasi momento un punto di appoggio saldo e di mantenere sempre l'equilibrio.

Mantenere sempre una presa adeguata sull'impugnatura dell'utensile, eventualmente servendosi degli appositi organi ausiliari. Questo servirà per ridurre le vibrazioni trasmesse al corpo.



Non toccare accessori in lavoro. Non toccare parti e/o accessori dell'utensile in movimento o in lavoro.

Prestare attenzione. Fare sempre attenzione a ciò che si sta facendo. Procedere con cautela. Non continuare a lavorare quando si è stanchi.

Tenere gli utensili con cura. Mantenere gli utensili in buone condizioni e puliti per ottenere migliori risultati, in modo più sicuro. Non rimuovere mai protezioni e silenziatori dall'utensile. Seguire le istruzioni per la manutenzione e la sostituzione degli accessori.

Uso e montaggio degli accessori. Deve essere eseguito secondo le istruzioni contenute nel manuale di macchina. L'uso di accessori o di modalità di montaggio diverse da quelle consigliate possono causare lesioni personali.

Escludere l'alimentatore. Al termine di ogni seduta di lavoro, prima di eseguire operazioni di regolazione, manutenzione o sostituzione degli accessori come bussole, ecc. si consiglia di escludere il ramo di rete che alimenta l'utensile.

Rimuovere le chiavi di servizio. Prima di utilizzare l'utensile controllare sempre di avere rimosso le chiavi di servizio o di regolazione.

Controllare le parti danneggiate. All'atto della consegna, controllare che l'imballo sia integro e che non vi siano segni di urti o manomissioni.

LISTA DEI RISCHI RESIDUI

- o Elementi mobili
- o Elementi in rotazione
- o Parti con spigoli
- o Alta pressione
- o Parti ad alta temperatura
- o Rumorosità durante il funzionamento

CONFEZIONE

L'utensile viene consegnato dentro ad una confezione di cartone, protetto con materiale antivibrante.

Oltre all'avvitatore, dentro alla confezione,

Prima di usare l'utensile controllare attentamente l'efficienza e il perfetto funzionamento dei dispositivi di sicurezza e di qualsiasi altra parte. Controllare che le parti mobili non siano danneggiate, che il loro movimento non sia ostacolato, o qualsiasi altra condizione che potrebbe limitare il funzionamento dell'utensile. Un dispositivo di protezione, o un altro componente danneggiato deve essere sostituito o riparato da un Centro Assistenza autorizzato a meno che non sia indicato diversamente nel presente manuale.

L'utensile non emette radiazioni non ionizzanti.

IMPORTANTE. L'uso di accessori e parti di ricambio diversi da quelli consigliati nel presente manuale può costituire causa di lesioni personali.

Non modificare alcun elemento di macchina senza esplicita autorizzazione PAOLI, né rimuovere protezioni, dispositivi di sicurezza o di controllo del flusso d'aria in uscita (filtri, deflettori, ecc.).

Interrompere la lavorazione qualora dovessero verificarsi vibrazioni o rumorosità anomale, funzionamento irregolare dell'utensile, ecc.

Fare riparare l'utensile da personale qualificato. Questo utensile pneumatico è conforme alle vigenti norme di sicurezza. Le riparazioni devono essere effettuate da personale qualificato usando parti di ricambio originali, altrimenti potrebbero derivare gravi danni per l'operatore.

- o Vibrazioni trasmesse al sistema mano-braccio
- o Materiali o sostanze
- o Scarsa visibilità
- o Scarsa illuminazione
- o Temperatura ambiente
- o Attività ripetitiva + rumore + alta temperatura ambiente

troverete il manuale di uso e manutenzione, la dichiarazione di conformità, gli eventuali accessori e gli agenti lubrificanti indicati nel presente manuale di uso e manutenzione.

RISOLUZIONE DEI PROBLEMI

PROBLEMA	CAUSA	RIMEDIO
L'albero non gira	Leva di avviamento dell'utensile non premuto a fondo	Premere la leva di avviamento
	La pressione o portata della linea di alimentazione d'aria è nulla o insufficiente	Controllare la linea di alimentazione dell'aria.
	Temperatura troppo bassa	Operare in un ambiente con temperatura maggiore
	Guasto dell'utensile	Rivolgetevi ad un centro di assistenza autorizzato
	Posizione dell'invertitore di rotazione errata	Riposizionare l'invertitore di rotazione
Perdita di prestazioni	Leva di avviamento dell'utensile non premuta a fondo	Premere la leva di avviamento
	La pressione o portata della linea di alimentazione d'aria è nulla o insufficiente	Controllare la linea di alimentazione dell'aria.
	Mancanza di lubrificazione	Leggere le istruzioni e lubrificare l'utensile
	Filtro sporco	Pulire il filtro
	Posizione dell'invertitore di rotazione errata	Riposizionare l'invertitore di rotazione
	Guasto dell'utensile	Rivolgersi ad un centro di assistenza autorizzato
L'utensile vibra in modo anomalo	L'utensile non è ben appoggiato al dado	Appoggiare bene la bussola sul dado
	Gli accessori non sono connessi correttamente	Connettere correttamente gli accessori
	Gli accessori sono usurati	Sostituire gli accessori
	Usura dell'utensile	Rivolgetevi ad un centro di assistenza autorizzato
L'albero non si ferma nonostante la leva di avviamento non sia premuta	Leva di avviamento inceppata	Scollegare l'alimentazione

DICHIARAZIONE DI CONFORMITÀ CE

Singola macchina

Noi

DINO PAOLI S.R.L. - Via G. Dorso, 5 - 42124 Reggio Nell'Emilia (Re) - Italy

dichiariamo sotto nostra unica responsabilità che il prodotto:

Tipo di macchina

DP 197 SFE

Avvitatore pneumatico ad impulsi

DATI TECNICI

Vedi sezione Attachments

NUMERO DI MATRICOLA

Vedi quarta di copertina

a cui questa dichiarazione si riferisce, è conforme ai requisiti della Direttiva Macchine 2006/42/CE

Nome e indirizzo della persona autorizzata a costituire il fascicolo tecnico

Nome: **Dr. Federico Galloni**

Indirizzo: **DINO PAOLI S.R.L. - Via G. Dorso, 5 - 42124 Reggio Nell'Emilia (Re) - Italy**

Nome e posizione del dichiarante:

Il Direttore / Managing Director

Dr. Federico Galloni



Reggio nell'Emilia (RE) - Italy - 11 Dicembre 2015

CONDIZIONI DI GARANZIA LIMITATA DEL FABBRICANTE

Le condizioni di garanzia fornite dalla DINO PAOLI S.r.l. sono le seguenti:

- o Il periodo previsto è di 12 mesi dalla data di acquisto e si limita a difetti di materiale o fabbricazione dimostrabili. La data di acquisto deve essere verificabile mediante documento di vendita. Nel caso si tratti di un avvitatore, sul documento deve essere riportato il numero di matricola dell'avvitatore stesso.
- o DINO PAOLI s.r.l. non sarà responsabile, e non saranno accettate rivendicazioni, per eventuali danni derivanti da utilizzo difforme alle indicazioni fornite dal fabbricante.
- o La garanzia non è valida se il prodotto è stato usato in modo difforme dalle indicazioni fornite dal fabbricante. La garanzia non è valida se il prodotto è stato riparato da personale non esplicitamente autorizzato da DINO PAOLI s.r.l.
- o Gli interventi tecnici durante il periodo di garanzia non danno origine a prolungamenti o rinnovi della stessa; in particolare tali riparazioni o sostituzioni sono garantite per il periodo residuo della garanzia originale.
- o La sostituzione completa del prodotto non è prevista, se non per un difetto palese, denunciato entro 8 giorni dal ricevimento dello stesso. Viceversa provvederemo a sostituire in garanzia, inclusa la manodopera, i componenti necessari per ripristinare il corretto funzionamento dello stesso.
- o L'eventuale sostituzione di componenti in garanzia è una insindacabile decisione della DINO PAOLI s.r.l., previo ricevimento degli stessi. I componenti eventualmente sostituiti rimarranno di proprietà della DINO PAOLI s.r.l.
- o Il prodotto può essere consegnato ad un centro autorizzato da DINO PAOLI s.r.l. che si prenderà cura del prodotto. La lista dei centri autorizzati è disponibile all'indirizzo email sales@paoli.net. In alternativa deve essere spedito a DINO PAOLI s.r.l., i costi di trasporto non sono a carico di DINO PAOLI s.r.l.

CARACTÉRISTIQUES TECHNIQUES

DESCRIPTION

Clé à chocs portative pneumatique conçue pour l'application sports motorisés (Indiquée pour: GT, Endurance).

LUBRIFICATION

Lubrification des masses battantes: Graisse spéciale pour les masses battantes des clés à chocs Paoli. Lubrification moteur pneumatique: Huile très fluide pour outils pneumatiques ou Huile spéciale pour moteur des clés à chocs Paoli.

CONDITIONS ENVIRONNEMENTALES

Température: $-5^{\circ}\text{C} \div 45^{\circ}\text{C}$

Température de stockage: $0^{\circ}\text{C} \div + 40^{\circ}\text{C}$

Humidité de l'air: <80%

Max altitude: 2000m du niveau de la mer

UTILISATION

Outil pour l'assemblage d'éléments de liaison filetés dans les arrêts ravitaillement.

Poids (kg)	4,60
Longueur (mm)	200
Carré conducteur	1"
Entrée air	3/8" BSP
Diamètre intérieur tube alimentation	1/2" (13 mm)
Vitesse maximale à vide (Tr/mn)	7.900** (à 20 bars)
Poids maximum recommandé pour la clé à douille (kg)	0,70
Pression pneumatique d'utilisation (bar)	20 (maximum)
Couple Maximum* (Nm)	1.900**

SCHEMA CIRCUIT D'ALIMENTATION DE L'AIR

Voir figure Fig.3.

- ① L'utilisation est autorisée exclusivement sur des installations à air comprimé industrielles.
- ① Utiliser une installation qui respecte les valeurs de pression indiquées (max. 10% en plus de la valeur maximale indiquée) en utilisant un réducteur de pression alimenté par une installation qui respectent les normes en vigueur et qui soit soumis régulièrement à des contrôles.
- ① Les composants de l'installation d'alimentation doivent être conçus et construits conformément aux prescriptions de sécurité contenues dans les normes internationales en vigueur.
- ① Avant toute intervention sur l'installation, toujours vérifier que la ligne soit dépressurisée (absence de pression pneumatique).
- ① Il est recommandé d'utiliser un tuyau (tuyau flexible pour air comprimé d'une longueur minimum de 46 cm (18")) à raccord fileté, à visser à l'entrée d'air de la clé à chocs, et raccord à branchement rapide mâle à l'autre extrémité.
- ① Brancher le tuyau flexible au réducteur de pression au moyen d'un tuyau spécifique d'alimentation.
- ① Utiliser un tuyau d'alimentation de diamètre interne d'au moins 13 mm (1/2").

* Ces performances ont été obtenues après avoir testé la clé à chocs sur un banc d'essai, qui est doté de boulons fixes, qui ont été serrés pendant 5 secondes. Il est rappelé que, pendant le vissage sur un moyeu de la roue d'une voiture d'une de GT ou BTCC on perd la plupart du couple à cause de la rotation du moyeu. Par ailleurs les performances changent suivant le temps de fonctionnement de la clé à chocs sur chaque écrou, en rappelant que le temps correct de fonctionnement sur chaque écrou est, en moyenne, d'une seconde.

** DP 197-SFE version Non Différenciée (UH): Vitesse maximale à vide égale à 7 500 Tr/mn (à 20 bars) - Le couple maximum est égal à 1.800 Nm.

MISES EN GARDE GÉNÉRALES

- ① Clé à chocs destinée à un usage professionnel par du personnel spécialisé formé et doté des compétences techniques appropriées.
- ① Ne pas utiliser la clé à chocs sans les dispositifs de sécurité prescrit.
- ① L'arbre porte-douille de la clé à chocs et la clé à douille fixée à celle-ci pourraient continuer à tourner un court instant après avoir relâché le levier de commande.
- ① Vérifier que l'adhésif de WARNING (voir figure Fig.1-W) soit présent et lisible; dans le cas contraire le remplacer en apposant un adhésif neuf dans la position d'origine.
- ① Ne pas utiliser la clé à chocs avec les vis de serrage du couvercle des masses battantes (voir figure Fig.1-E) ou du couvercle moteur (voir figure Fig.1-P) desserrées ou pas suffisamment serrées (voir tableau Tab.A "Couples de Serrage"). Dans le cas contraire les serrer de manière adéquate avec une clé dynamométrique en suivant l'ordre de serrage indiqué (voir figures Fig.2-E e Fig.2-F).
- ① Faire particulièrement attention à l'air qui s'échappe de la clé à chocs pendant le fonctionnement (voir figure Fig.2-B). Pour ne pas compromettre les performances de la clé à chocs ne pas boucher les trous d'échappement.

GUIDE D'UTILISATION

- ① Utiliser toujours une clé à chocs avec un couple de serrage correspondant à celui requis par l'application.
- ① Faire attention à la version de votre clé à chocs:
 - o la version Rapide Gauche (LH) dévisse plus rapidement les écrous vissés dans le sens horaire;
 - o la version Rapide Droite (RH) dévisse plus rapidement les écrous vissés dans le sens antihoraire;
 - o la version Non Différenciée (UH) dévisse à la même vitesse aussi bien les écrous vissés dans le sens horaire qu'antihoraire.
- ① Pour ne pas compromettre le fonctionnement de l'inverseur, ne jamais dévisser ou desserrer la vis sans tête d'arrêt de l'inverseur (voir figure Fig.2-C).
- ① Le réglage standard de la force nécessaire à la translation de l'inverseur, et donc pour l'inversion du sens de marche est déjà effectué par Dino Paoli s.r.l.. Un réglage personnalisé de cette force n'est pas possible (voir figure Fig.2-C).
- ① La modalité de prise correcte prévue pour l'utilisation de la clé à chocs est la suivante (voir figure Fig.2-D):
 - o main droite en prise sur la poignée principale;
 - o main gauche en prise d'appui sur le couvercle des masses battantes.

Traduction du mode d'emploi original. Ce mode d'emploi a été initialement rédigé en anglais.

TAB. A	COUPLES DE SERRAGE	
Couvercle Masses Battantes	Vis M5	10 Nm
Couvercle Moteur	Vis M5	10 Nm

RÉGLAGE DE LA PRESSION DE L'AIR

- ① Avant l'utilisation, toujours effectuer un réglage en dynamique de la pression d'alimentation (voir figure Fig.5). Régler la pression de l'air d'alimentation, indiquée sur la manomètre de basse pression, en tournant la vis de réglage du réducteur de pression, en maintenant enfoncé le levier de commande.
- ① Ne pas dépasser la limite maximale de 20 bars de pression de l'air d'alimentation (avec la clé à chocs en marche).

GESTION DES COMMANDES

- ① Déplacer l'inverseur (voir figure Fig.1-I) et appuyer sur le levier de commande (voir figure Fig.1-C). Voir la figure Fig.4 pour identifier le sens de rotation de l'arbre porte-douille.
- ① Eviter les démarrages accidentels, en faisant attention à ne pas actionner involontairement le levier de commande (voir figure Fig.1-C).

MONTAGE DES ACCESSOIRES

Avant de changer un accessoire, toujours vérifier que la ligne d'alimentation pneumatique de la clé à chocs est dépressurisée (absence de pression pneumatique), et seulement après débrancher la clé à chocs et effectuer le remplacement.

Utiliser uniquement des accessoires adaptés au travail à faire (consulter notre catalogue accessoires).

Utiliser exclusivement des clés à chocs avec trou pour la broche de retenue. Ne pas utiliser de douilles chromées ou pour un usage manuel. Ne pas utiliser d'adaptateurs de carré (réductions ou multiplications).

Toujours vérifier que la broche de retenue de la clé à douille soit présente et bien fixée.

Pour monter une clé à douille, procéder de la manière suivante:

- ① Marquer chaque couvercle des masses battantes avec le numéro de matricule de la clé à chocs.

- ① Enlever les quatre vis du couvercle masses battantes, et jeter les rondelles.

- ① En le saisissant par le carré conducteur, enlever l'arbre porte-douille, le roulement du couvercle masses battantes et le couvercle masses battantes de la clé à chocs. Le ressort de débrayage doit rester avec l'arbre cannelé, l'embrayage et le volant. Conserver l'arbre porte-douille, le roulement du couvercle des masses battantes et le couvercle des masses battantes comme groupe monté.

- ① L'utilisation d'un bloc d'aluminium, de dimensions adaptées, soutiendra le carré conducteur par le bas. Ceci fournira la base pour le serrage de la clé à douille sur le carré conducteur. Contrôler que le bloc d'aluminium soit assez haut pour laisser un espace suffisant au couvercle des masses battantes.

- ① Dans les situations idéales, un bloc d'aluminium doit être usiné pour s'adapter tant au diamètre interne qu'à la surface de la douille. Il sera utilisé pour enfoncer la douille sur le carré conducteur. Prêter une attention particulière pour ne pas endommager le joint torique interne (bague de retenue) avec l'outil utilisé sur le diamètre interne de la douille. L'outil utilisé sur la surface des aimants (par ex. clés à douille à aimant) doit s'adapter correctement pour éviter d'endommager les aimants. Dans certaines situations un bloc épais d'aluminium peut être utilisé pour l'installation, pour appuyer directement sur les dents de la douille (par ex. pour clés à douille crénelée). Ce n'est pas une procédure recommandée et elle devrait être adoptée uniquement quand un outil approprié à appuyer ne peut pas être réalisé rapidement.
- ① Les clés à douille sont conçues pour avoir une introduction à pression dans le carré conducteur. Les clés à douille et a raccords carrés ne devraient jamais être modifiés pour permettre une introduction à la main ou un montage libre. Les anciennes clé à douille qui coulisent librement sur le carré devraient être remplacées.
- ① **IMPORTANT:** Si il y a des parties magnétiques ou en caoutchouc dans la clé à douille, il ne faut en aucun cas la réchauffer pour favoriser son introduction sur le raccord carré. En réchauffant la douille on compromet la capacité de tenue de l'aimant et on détruit l'époxy qui retient les aimants dans la douille.
- ① Placer l'arbre porte-douille, le roulement du couvercle des masses battantes et le couvercle des masses battantes sur un bloc mince de support en aluminium. Lubrifier le raccord carré et le carré interne de la clé à douille avec un lubrifiant adapté pour le montage à la presse. La plupart des composés anti-grippant et anti-usure sont appropriés.
- ① Placer l'arbre porte-douille avec le couvercle des masses battantes complet et le bloc de support dans une presse, en réglant la hauteur en conséquence.
- ① Aligner les trous transversaux pour la broche de retenue de la douille et du raccord carré. Placer la clé à douille au-dessus du bloc à comprimer. Contrôler que le groupe empilé soit aligné, commencer à comprimer ensemble le groupe à une pression réduite. Dans la phase de montage il peut s'avérer nécessaire de régler la presse hydraulique à une pression plus élevée.
- ① Quand les trous transversaux de la clé à douille et du raccord carré sont proches de l'alignement, introduire la broche dans la douille. Pendant que l'on applique une pression latérale sur la broche, continuer à comprimer la douille sur le raccord carré. Quand les trous seront alignés, la broche entrera aisément.
- ① Les broches de retenue des douilles peuvent être introduites de deux façons.
 - La première est celle d'utiliser deux poinçons avec extrémité à pointe de 45°. Placer le premier poinçon avec la pointe tourné vers le haut dans les mâchoires d'un étau et donner un tour de vis. A l'aide d'un assistant, placer la broche dans le trou de la douille, disposer la douille et la broche sur la pointe du premier poinçon fixe dans l'étau. En utilisant le deuxième poinçon et un marteau frapper la partie supérieure de la broche de la douille. Cette action devrait être suffisante tant pour la partie supérieure qu'inférieure de la broche; répéter l'opération si nécessaire.
 - La deuxième méthode d'introduction des broches des douilles consiste à utiliser un outil spécial. Cet outil d'introduction peut être réalisée facilement en utilisant un bloc inférieur fixe avec pointe, un étrier carré ou en "U" et un bloc supérieur coulissant avec point ou poinçon. Cet outil peut être utilisé soit avec un marteau soit avec une presse.

- ① Une fois que la broche de retenue de la douille a été introduite, il faudra éliminer toute partie en saillie de la douille. Pour faire cela utiliser une meuleuse d'angle avec disque abrasif moyen. Eviter de rectifier les surfaces en titane de la douille. Faire attention à ne pas laisser de zones brutes ou des arêtes qui peuvent blesser les mains pendant l'utilisation.
- ① Appliquer un tour de ruban métallique sur le diamètre extérieur de la douille au niveau de la broche de retenue pour prévenir toute sortie imprévue de la broche.
- ① Associer chaque groupe couvercle masses battantes aux clés à chocs respectives. Remonter le groupe douille avec couvercle masses battantes sur la clé à chocs en utilisant quatre vis et des rondelles neuves.

ENTRETIEN

Avant toute intervention d'entretien, toujours vérifier que la ligne d'alimentation pneumatique de la clé à chocs est dépressurisée (absence de pression pneumatique), et seulement après débrancher la clé à chocs et effectuer le remplacement.

- ① Utiliser seulement les lubrifiants recommandés.
- ① A intervalles régulier alimenter en rajoutant du lubrifiant (huile spéciale pour les moteurs des clés à chocs Paoli ou huile très fluide pour outils pneumatiques), pour maintenir l'outil en parfait état et prolonger sa durée de vie. Mettre quelques gouttes d'huile dans l'entrée d'air de la clé à chocs (voir figure Fig.2-A).
- ① Réexpédier la clé à chocs aux structures PAOLI au moins une fois par an pour la révision complète.
- ① Ne pas effectuer les interventions d'entretien avec des outils non appropriés, se servir de la vue éclatée en annexe avec liste des pièces détachées.
- ① Indiquer les pièces d'usure, à démonter et contrôler à intervalles réguliers, ainsi que l'éventuelle liste de mauvais fonctionnement et les actions de correction.
- ① Utiliser uniquement des pièces détachées d'origine et se servir uniquement de services après vente agréés.
- ① Avant toute compétition il est fortement recommandé de nettoyer le moteur en introduisant du gazole (~10cc) dans l'entrée d'air, en maintenant enfoncé le levier de commande; puis faire fonctionner la clé à chocs dans le sens des aiguilles d'une montre et dans le sens inverse (prêter attention à l'air qui s'échappe de la clé à chocs pendant cette opération - voir figure Fig.2-B). Après le lavage interne, répéter l'opération avec de l'huile spéciale pour les moteurs des clés à chocs Paoli (~5cc) ou de l'huile très fluide pour outils pneumatiques. Ces opérations doivent être effectuées dans un environnement approprié, équipé d'aspiration des particules nébulisées. Utiliser les dispositifs de protection individuelle.
- ① Si la clé à chocs est laissée inactive pendant de longues périodes, il est recommandé de verser de l'huile (huile spéciale pour les moteurs des clés à chocs Paoli) dans l'entrée de l'air (voir figure Fig.2-A) et la faire fonctionner quelques secondes avant de l'entreposer. Les parties internes seront ainsi lubrifiées.

DÉMOLITION

Séparer les composants en fonction de la nature des matières dont ils sont composés. L'élimination des composants doit avoir lieu dans le respect des normes en vigueur.

ATTENTION

Lorsque vous utilisez des outils pneumatiques, respecter toujours les normes de sécurité prévues dans votre milieu de travail et les instructions suivantes, afin de réduire les risques de dommages environnementaux et personnels.

- ▷ Porter des lunettes de sécurité ainsi qu'une protection antibruit.
- ▷ Si nécessaire, porter un masque anti-poussières et des gants de travail.
- ▷ Porter une tenue de travail appropriée ainsi que des chaussures de sécurité.
- ▷ Ne utiliser pas l'outil continuellement, prévoir périodiquement une pause.

Pour la sécurité de l'opérateur:

Garder la zone de travail bien propre. La zone de travail ou le banc en désordre peuvent causer des dommages personnels.

Vérifier les conditions du lieu de travail. S'assurer que l'éclairage soit adéquat. Si les matières usinées produisent des étincelles, ne pas utiliser les outils en présence de liquides, de gaz ou de matériels inflammables. Ne utilisez pas l'outil dans des atmosphères potentiellement explosives (ATEX).

Tenir les personnes étrangères loin de la zone de travail. Ne pas permettre que des personnes étrangères touchent les outils. Tous les visiteurs doivent être tenus loin de la zone de travail.

Ne pas surcharger les outils. Ceux-ci auront de performances meilleures et en état de sécurité s'ils sont alimentés à travers des tuyaux appropriés et à la pression indiquée dans le présent manuel d'utilisation.

Utiliser l'outil adéquat. Contrôler l'état d'usure des outils de travail (douches à chocs, etc.) avant toute mise en service, et les remplacer s'ils sont endommagés ou usés.

La mauvaise utilisation est absolument interdit:

- ▷ Utilisez l'outil pour quelque raison et utilise différente de celle requise dans ce manuel
- ▷ Adresser à l'outil ou accessoires contre des personnes ou des animaux
- ▷ Utilisez l'outil ou des accessoires comme marteau, levier ou objet contondant

Mettre des vêtements adéquats. Ne pas utiliser de vêtements larges ou de bijoux qui pourraient rester pris dans les pièces en mouvement. Nous recommandons de mettre des gants de protection, des chaussures anti-accident et anti-glissement quand vous travaillez à l'extérieur. Si vous avez les cheveux longs utiliser un bonnet.

Utiliser des protections personnelles. Utiliser régulièrement des protecteurs contre le bruit, des lunettes de protection avec masque anti bués, des gants de travail, des masques filtrante, et tout ce que est nécessaire pour éviter le contact avec les substances nocives et les sous-produits de la transformation.

La connexion au réseau d'alimentation doit toujours être effectuée en conformité avec les normes locales en vigueur en matière de sécurité, en faisant attention, dans le cas de l'air comprimé, d'éviter les coups de fouet (en cas de rupture du tuyau), ou les débranchements accidentels, et le danger de court circuit au niveau des connexions électriques.

Attention! l'air de décharge peut contenir du lubrifiant ou d'autres résidus. Eviter une lubrification excessive et l'inhalation de l'air de décharge; la zone de travail doit être bien ventilée et éventuellement équipée de convoyeurs pour l'air de décharge.

Vérifier que le réseau d'alimentation soit conforme aux mesures de sécurité et aux prescriptions contenues dans la notice d'instructions avant d'effectuer le branchement.

Brancher l'appareil pour l'aspiration des poussières. Si le présent manuel d'utilisation prévoit des appareils pour l'aspiration de la poussière, s'assurer qu'ils soient reliés aux outils et utilisés de façon correcte.

Utiliser correctement le tuyau d'alimentation. Ne pas traîner l'outil branché sur l'alimentation en le tirant par le tuyau. Garder le tuyau loin de sources de chaleur et d'objets tranchants.

Bloquer la pièce à travailler. Utiliser des dispositifs de blocage pour fixer la pièce. C'est plus sûr que l'emploi des mains: de cette manière vous aurez les mains libres pour opérer avec l'outil. S'assurer d'avoir toujours un point d'appui solide et de garder toujours l'équilibre.



Maintenir toujours une bonne prise sur la poignée de l'outil, en utilisant éventuellement les organes auxiliaires spéciaux. Cela servira à réduire les vibrations.

Ne toucher aucun accessoire en fonction. Ne toucher aucune pièce et/ou accessoire de l'outil en mouvement ou en fonction.

Prêter attention. Faire toujours attention à ce qu'on est en train de faire. Opérer avec prudence. Ne pas continuer à travailler si vous êtes fatigués.

Avoir soin des outils. Maintenir les outils en bon état et bien propres pour obtenir les meilleurs résultats, de la manière la plus sûre. Ne jamais enlever de protections et de silencieux de l'outil. Suivre les instructions pour l'entretien et le remplacement des accessoires.

Utilisation et montage des accessoires. Suivre les instructions contenues dans la notice de la machine. L'utilisation d'accessoires ou de modalités de montage autres que celles préconisées peuvent provoquer des lésions aux personnes.

Exclusion de l'alimentateur. A la fin de chaque cycle de travail, avant d'entreprendre toute opération de réglage, d'entretien ou de remplacement d'accessoires tels que les douilles à chocs, etc., nous conseillons d'exclure la section de réseau qui alimente l'outil.

Enlever les clés de service. Avant d'utiliser l'outil s'assurer toujours que les clés de service ou de réglage aient été enlevées.

Vérifier les pièces endommagées. Au moment de la livraison, vérifier que l'emballage soit intègre et qu'il

n'y ait pas de signes de choc ou d'altération. Avant d'utiliser l'outil vérifier attentivement l'efficacité et le fonctionnement parfait des dispositifs de sûreté et de toute autre pièce. S'assurer que les pièces mobiles ne soient pas endommagées, que leur mouvement ne soient pas entravé ou que toute autre condition puisse limiter le fonctionnement de l'outil. Un dispositif de protection, ou un autre composant endommagé, doit être remplacé ou réparé par un Centre Après-vente agréé sauf indications contraires dans le présent manuel d'utilisation.

L'outil ne pas émettre des rayonnements non ionisants.

IMPORTANT. L'utilisation d'accessoires ou de pièces de rechange différents de ceux conseillés dans le présent manuel d'utilisation peut provoquer des lésions personnelles.

Il est strictement interdit de modifier toute partie de la machine sans l'autorisation préalable de la Société PAOLI ou de retirer les protections, les dispositifs de sécurité ou de contrôle du flux de l'air en sortie (filtres, déflecteurs, etc.).

Interrompre le travail. Interrompre le travail en cas de vibrations ou bruit anormal, ou en cas de fonctionnement irrégulier de l'outil, etc.

Confier la réparation de l'outil à des personnes qualifiées. Cet outil pneumatique est conforme aux normes de sécurité en vigueur. Les réparations doivent être effectuées par des personnes qualifiées et en utilisant des pièces de rechange originales, dans le cas contraire des dommages graves pour l'opérateur pourraient se produire.

LISTE DES RISQUES RÉSIDUELS

- o Les pièces en mouvement
- o Les éléments rotatifs
- o Pièces à vif
- o Haute pression
- o Pièces à haute température
- o Fonctionnement bruyant
- o Vibrations transmises à la main-bras
- o Matériaux ou substances
- o La mauvaise visibilité
- o Faible luminosité
- o La température ambiante
- o Activités répétitif + bruit + haute température

COLIS

L'outil est délivré dans une caisse en cartonnet protégé avec un matériau anti-vibration. Avec le clé à choc à l'intérieur la caisse, vous trouverez le manuel

d'utilisation et de maintenance, la déclaration de conformité, autres accessoires et lubrifiants indiqué dans ce manuel d'utilisation et de maintenance.

RÉSOLUTION DE PROBLÈME

PROBLEME	CAUSE	RECOURS
Le broche ne tourne pas	Levier de démarrage de l'outil poussé pas en profondeur	Presser le levier de démarrage
	La pression ou le débit de la ligne de l'alimentation d'air est insuffisante ou inexistant	Vérifiez la ligne d'alimentation d'air.
	Température trop basse	Opérer dans un environnement avec une température plus élevée
	Outil panné	Contactez un centre de service autorisé
	Position incorrecte du inverseur de rotation	Remplacer l'inverseur de rotation
Perte de performance	Levier de démarrage de l'outil poussé pas en profondeur	Presser le levier de démarrage
	La pression ou le débit de la ligne de l'alimentation d'air est insuffisante ou inexistant	Vérifiez la ligne d'alimentation d'air.
	L'absence de lubrification	Lire les instructions et lubrifier l'outil
	Filtre encrassé	Nettoyez le filtre
	Position incorrecte du inverseur de rotation	Remplacer l'inverseur de rotation
	Outil panné	Contactez un centre de service autorisé
L'outil vibre de façon anormale	L'outil n'est pas bien supporté à l'écrou	Reposer bien la douille sur l'écrou
	Les accessoires ne sont pas correctement connectés	Connecter correctement les accessoires
	Les accessoires sont usés	Changer les accessoires
	Usure des outils	Contactez un centre service autorisé
Le broche ne s'arrête pas malgré le levier de démarrage n'est pas pressée	Le levier de démarrage est bloqué	Débranchez l'alimentation

DÉCLARATION DE CONFORMITÉ CE

Machine simple

Nous

DINO PAOLI S.R.L. - Via G. Dorso, 5 - 42124 Reggio Nell'Emilia (Re) - Italy
déclarons sous notre responsabilité exclusive que le produit :

Type

DP 197 SFE

Clé à choc

FICHE TECHNIQUE

Voir la section des Attachments

NUMÉRO DE SÉRIE

Voir la quatrième de couverture

que concerne cette déclaration, est conforme aux Directive relatives aux machines 2006/42/CE

Nom et adresse de la personne autorisée à constituer le dossier technique

Nom: **Dr. Federico Galloni**

Adresse: **DINO PAOLI S.R.L. - Via G. Dorso, 5 - 42124 Reggio Nell'Emilia (Re) - Italy**

Nome et fonction de l'émetteur:

Il Direttore / Managing Director

Dr. Federico Galloni



Reggio nell'Emilia (RE) - Italy - 11 Décembre 2015

CONDITIONS DE GARANTIE LIMITÉE DU FABRICANT

Les conditions de garantie fournies par DINO PAOLI S.r.l. sont les suivantes :

- o La durée de la garantie est de 12 mois à compter de la date d'achat et ne concerne que les défauts de matériaux ou de fabrication pouvant être prouvés. La date d'achat doit être vérifiable au moyen du document de vente. Dans le cas d'une visseuse, le document doit indiquer le numéro de série de la visseuse.
- o DINO PAOLI s.r.l. ne sera pas tenu pour responsable, et aucune réclamation ne sera acceptée, pour tout dommage résultant d'une utilisation non conforme aux indications fournies par le fabricant.
- o La garantie n'est pas valable si le produit a été utilisé d'une manière non conforme aux indications fournies par le fabricant. La garantie n'est pas valable si le produit a été réparé par du personnel non expressément autorisé par DINO PAOLI s.r.l.
- o Les interventions techniques effectuées pendant la période de garantie ne donnent pas lieu à des prolongations ou des renouvellements de la garantie ; plus précisément, ces réparations ou remplacements sont garantis pour la durée restante de la garantie originale.
- o Le remplacement complet du produit n'est pas prévu, sauf dans le cas d'un défaut flagrant, déclaré dans les 8 jours suivant sa réception. Inversement, nous remplacerons sous garantie, y compris la main-d'œuvre, les composants nécessaires pour rétablir le bon fonctionnement du produit.
- o La décision de remplacer des composants sous garantie est à la seule discrétion de DINO PAOLI s.r.l., après réception de ceux-ci. Les composants éventuellement remplacés restent la propriété de DINO PAOLI s.r.l.
- o Le produit peut être remis à un centre agréé de DINO PAOLI s.r.l. qui le prendra en charge. La liste des centres agréés est disponible à l'adresse email sales@paoli.net. Comme alternative, il doit être envoyé à DINO PAOLI s.r.l., les frais de transport n'étant pas à la charge de DINO PAOLI s.r.l.

TECHNISCHE DATEN

BESCHREIBUNG

Tragbarer Druckluft-Impulsschlagschrauber für Anwendungen im Motorsport (geeignet für: GT, Endurance).

SCHMIERUNG

Schmierung der Schlagwerke: Spezialfett für die Schlagwerke der Paoli Schlagschrauber.

Schmierung des Druckluftmotors: Sehr flüssiges Öl für Druckluftwerkzeuge oder Spezialöl für den Motor der Paoli Schlagschrauber.

UMWELTBEDINGUNGEN

Einsatztemperatur: -5°C bis +45°C

Lagertemperatur: 0°C bis +40°C

Luftfeuchtigkeit: <80%

Max. Höhe: 2000 m über dem Meeresspiegel

VORGESEHENE ANWENDUNG

Werkzeug zur Montage von Verbindungselementen mit Gewinde beim Reifenservice am Boxenstopp.

Gewicht (kg)	4,60
Länge (mm)	200
Vierkantaufnahme	1"
Lufteinlass	3/8" BSP
Innendurchmesser Luftschauch	1/2" (13 mm)
Maximale Drehzahl im Leerlauf (U/min)	7.900** (bei 20 bar)
Empfohlenes Höchstgewicht für den Steckschlüssel (Kg)	0,70
Betriebsdruck (bar)	20 (maximal)
Maximales Drehmoment* (Nm)	1.900**

SCHEMA DER DRUCKLUFTANLAGE

Siehe Abbildung Abb.3.

- ① Die Benutzung ist ausschließlich auf Druckluftanlagen industriellen Typs gestattet.
- ① Eine Versorgungsanlage benutzen, die den angegebenen Druckwerten gerecht wird (max. 10% über dem angegebenen Höchstwert), indem man einen Druckminderer benutzt, der von einer Anlage gespeist wird, die den geltenden Sicherheitsbestimmungen entspricht und die regelmäßigen Kontrollen unterzogen wird.
- ① Die Komponenten der Druckluftversorgungsanlage müssen in Übereinstimmung mit den Sicherheitsbestimmungen geplant und konstruiert werden, die in den geltenden internationalen Normen vorgesehen sind.
- ① Bevor man irgendeinen Eingriff an der Anlage vornimmt, immer sicherstellen, dass der Druck aus der Anlage abgelassen worden ist (kein pneumatischer Druck vorhanden).
- ① Unbedingt einen Schlauch (für Druckluft geeigneten Schlauch mit Länge von mindestens 46 cm (18")) mit am Lufteinlass des Schlagschraubers anzuschraubendem Gewindeanschluss und Steckkupplung mit Außengewinde am anderen Ende verwenden.
- ① Den Schlauch mit einem spezifischen Anschlussrohr am Druckminderer anschließen.
- ① Ein Anschlussrohr mit Innendurchmesser von mindestens 13 mm (1/2") verwenden, das für den vorgesehenen Gebrauch geeignet ist.

* Diese Leistungen wurden erhalten, nachdem der Schlagschrauber auf einer Prüfbank getestet worden war, die mit zwei festen Schraubbolzen versehen war, die für 5 Sekunden angezogen wurden. Nicht vergessen, dass man beim Anziehen/Lockern auf einer Radnabe eines Fahrzeugs vom Typ GT oder BTCC den größten Teil des Drehmoments wegen der Rotation der Nabe verliert. Außerdem ändern sich die Leistungen je nach der Betriebszeit des Schlagschraubers auf jeder Mutter, wobei zu berücksichtigen ist, dass die korrekte Betriebszeit auf einer einzelnen Mutter im Durchschnitt eine Sekunde ausmacht.

** DP 197 SFE Version Nicht Differenziert (JH): Maximale Drehzahl im Leerlauf von 7.500 U/min (bei 20 bar) - Maximales Drehmoment von 1.800 Nm.

ALLGEMEINE HINWEISE

- ① Schlagschrauber, der für den gewerblichen Einsatz bestimmt ist, nur durch Fachpersonal zu benutzen, das geschult wurde und geeignete technische Kompetenzen besitzt.
- ① Den Schlagschrauber nicht ohne die vorgeschriebenen Sicherheitseinrichtungen benutzen.
- ① Die Antriebswelle des Schlagschraubers und der daran befestigte Steckschlüssel könnten sich nach dem Loslassen des Starthebels noch kurzfristig weiterdrehen.
- ① Sicherstellen, dass der Aufkleber WARNING (siehe Abbildung Abb.1-W) vorhanden und leserlich ist; andernfalls ist er zu ersetzen, indem man in der ursprünglichen Position einen neuen anbringt.
- ① Den Schlagschrauber nicht benutzen, wenn die Befestigungsschrauben des Schlagwerkdeckels (siehe Abbildung Abb.1-E) oder des Motordeckels (siehe Abbildung Abb.1-P) locker oder nicht ausreichend angezogen sind (siehe Tabelle Tab.A "Anzugsdrehmomente"). Andernfalls sind sie mit einem Drehmomentschlüssel in der dargestellten Reihenfolge angemessen anzuziehen (siehe Abbildungen Abb.2-E und Abb.2-F).
- ① Auf die Luft achten, die während des Betriebs aus dem Schlagschrauber austritt (siehe Abbildung Abb.2-B). Um die Leistungen des Schlagschraubers nicht zu reduzieren, dürfen die Öffnungen des Luftauslasses auf keinen Fall verstopft werden.

GEBRAUCHSANLEITUNG

- ① Einen Schlagschrauber immer mit dem Anzugsdrehmoment benutzen, das von der jeweiligen Anwendung verlangt wird.
- ① Achten Sie auf die Version Ihres Schlagschraubers:
 - Die Version Schneller Linkslauf (LH) schraubt schneller die Muttern los, die im Uhrzeigersinn angezogen werden.
 - Die Version Schneller Rechtslauf (RH) schraubt schneller die Muttern los, die entgegen dem Uhrzeigersinn angezogen werden.
 - Die Version Nicht Differenziert (UH) schraubt die Muttern, die im Uhrzeigersinn angezogen werden, ebenso schnell wie die entgegen dem Uhrzeigersinn angezogenen los.
- ① Um die Funktionstüchtigkeit des Umschalters nicht zu beeinträchtigen, die Sicherungsmadenschraube des Umschalters nie losschrauben oder lockern (siehe Abbildung Abb.2-C).
- ① Die Standardeinstellung der Kraft, die für das Verschieben des Umschalters und damit die Umkehr der Laufrichtung erforderlich ist, ist schon von Dino Paoli s.r.l. vorgenommen worden. Eine personalisierte Justierung dieser Kraft ist nicht möglich (siehe Abbildung Abb.2-C).
- ① Die korrekte Art und Weise zum Festhalten des Schlagschraubers bei der Benutzung ist die folgende (siehe Abbildung Abb.2-D):
 - rechte Hand ergreift den Hauptgriff;
 - linke Hand liegt fest auf dem Schlagwerkdeckel auf.

Original-Betriebsanleitung - Die offizielle Sprache dieser Anleitungen ist Englisch.

TAB. A	ANZUGSDREHMOMENTE	
Schlagwerkdeckel	Schraube M6	18 Nm
Motordeckel	Schraube M5	10 Nm

LUFTDRUCKREGELUNG

- ① Vor der Benutzung muss die zugeführte Luft immer unter dynamischen Verhältnissen eingestellt werden (siehe *Abbildung Abb.5*). Den Druck der zugeführten Luft, der auf den Niederdruck-Manometer angezeigt wird, einstellen, indem man die Stellschraube des Druckminderers dreht, wenn man den Starthebel gedrückt hält.
- ① Den oberen Grenzwert von 20 bar Druck der Zufuhrluft nicht überschreiten (wenn der Schlagschrauber in Betrieb ist).

HANDHABUNG DER BEDIENELEMENTE

- ① Den Umschalter (siehe *Abbildung Abb.1-I*) verschieben und auf den Starthebel (siehe *Abbildung Abb.1-C*) drücken. Siehe die *Abbildung Abb.4* zur Identifizierung der Drehrichtung der Antriebswelle.
- ① Unbeabsichtigtes Starten vermeiden, indem man darauf achtet, den Starthebel (siehe *Abbildung Abb.1-C*) nicht aus Versehen zu betätigen.

MONTAGE DER ZUBEHÖRTEILE

Vor dem Wechseln eines Zubehörteils immer sicherstellen, dass der Druck aus der Luftzufuhrleitung des Schraubschlagers abgelassen worden ist (kein pneumatischer Druck vorhanden), und erst danach den Schlagschrauber abtrennen und den Wechsel vornehmen.

Nur Zubehörteile benutzen, die für die auszuführende Arbeit geeignet sind (in unserem Zubehör-Katalog nachschlagen).

Ausschließlich Impuls-Steckschlüssel mit Loch für den Sicherungstift verwenden. Keine verchromten Steckschlüssel oder Hand-Steckschlüssel benutzen. Keine (unter- oder übersetzenden) Vierkant-Adapter benutzen.

Immer sicherstellen, dass der Haltestift des Steckschlüssels vorhanden ist und sicher befestigt ist.

Zur Installation eines Steckschlüssels wie folgt vorgehen:

- ① Jeder Schlagwerkdeckel mit der Seriennummer des Schlagschraubers kennzeichnen.

- ① Die vier Schrauben des Schlagwerkdeckels entfernen und die Unterlegscheiben verwerfen.

- ① Den Schlagschrauber an der Vierkantaufnahme festhalten, die Antriebswelle, das Lager des Schlagwerkdeckels und den Schlagwerkdeckel des Schlagschraubers entfernen. Die Auskupplungsfeder muss mit der Keilwelle, der Kupplung und dem Schwungrad montiert bleiben. Die Antriebswelle, das Lager des Schlagwerkdeckels und den Schlagwerkdeckel als montierte Gruppe beibehalten.

- ① Die Benutzung eines Aluminiumklotzes geeigneter Abmessungen stützt den Vierkant von unten ab. Dieser dient als Unterlage für das Pressen des Steckschlüssels auf die Vierkantaufnahme. Sicherstellen, dass der Klotz ausreichend hoch ist, damit der Schlagwerkdeckel noch genug Platz hat.

- ① In idealen Situationen muss ein Aluminiumklotz so bearbeitet sein, dass er sowohl zum Innendurchmesser als auch zur Oberfläche der Stecknuss passt. Dieser wird benutzt, um die Stecknuss auf die Vierkantaufnahme zu drücken. Besondere Aufmerksamkeit ist darauf zu richten, dass der interne O-Ring (Haltering) nicht durch das benutzte Werkzeug auf dem Innendurchmesser der Stecknuss beschädigt werden kann. Das auf der Oberfläche der Magneten benutzte Werkzeug (z.B. für Steckschlüssel mit Magneten) muss sich auch korrekt anpassen, um die Beschädigung der Magneten zu vermeiden. In einigen Situationen kann für den Einbau ein dicker Aluminiumklotz benutzt werden, um direkt auf die Zähne der Stecknuss zu drücken (z.B. für Steckschlüssel mit Rändelung). Dies ist allerdings keine empfohlene Vorgehensweise und sollte nur angewendet werden, wenn ein geeignetes Druckwerkzeug nicht rechtzeitig zur Verfügung steht.
- ① Die Steckschlüssel werden entwickelt, um einen Druckeinsatz in der Vierkantaufnahme zu haben. Die Steckschlüssel und die Vierkantaufnahmen dürfen nie geändert werden, um das Einstecken von Hand oder eine freie Installation zu ermöglichen. Die alten Steckschlüssel, die frei im Vierkantantrieb gleiten, sind zu ersetzen.
- ① **WICHTIG:** Wenn sich im Steckschlüssel magnetische Teile oder Teile aus Gummi befinden, darf dieser auf keinen Fall erhitzt werden, um das Einstecken in die Vierkantaufnahme zu vereinfachen. Wird die Stecknuss erhitzt, verliert der Magnet sein Haltevermögen und das Epoxid, das die Magneten in der Stecknuss festhält, wird zerstört.
- ① Die Antriebswelle, das Lager des Schlagwerkdeckels und den Schlagwerkdeckel auf einem dünnen Abstützklotz aus Aluminium anordnen. Die Vierkantaufnahme und den Innenvierkant des Steckschlüssels mit einem Schmierstoff schmieren, der für das Einpressen geeignet ist. Der größte Teil der Gleit- und Verschleißschutzmittel sind geeignet.
- ① Die Antriebswelle zusammen mit dem kompletten Schlagwerkdeckel und dem Abstützklotz in einer Presse montieren und die Höhe angemessen einstellen.
- ① Die Querlöcher für den Haltestift der Stecknuss und der Vierkantaufnahme ausrichten. Den Steckschlüssel über dem einzupressenden Klotz anordnen. Sicherstellen, dass die gestapelte Gruppe ausgerichtet ist. Mit einem mäßigen Druck beginnen, die Gruppe zusammendrücken. In der Installationsphase kann es erforderlich sein, die hydraulische Presse auf einen höheren Druck einzustellen.
- ① Wenn die Querlöcher des Steckschlüssels und der Vierkantaufnahme fest ausgerichtet sind, den Stift in die Stecknuss stecken. Während man einen seitlichen Druck auf den Stift ausübt, die Stecknuss weiter auf die Vierkantaufnahme drücken. Wenn die Löcher ausgerichtet sind, lässt sich der Stift einfach einstecken.
- ① Die Haltestifte der Stecknüsse können auf zwei verschiedene Arten eingesteckt werden.
 - Die erste sieht die Benutzung von zwei Locheisen mit 45° Spitze vor. Das erste Locheisen mit nach oben zeigender Spitze in die Backen eines Schraubstocks anordnen und anziehen. Mit Hilfestellung eines Assistenten den Stift im Loch der Stecknuss anordnen, die Stecknuss und den Stift auf der Spitze des ersten Locheisens anordnen, das im Schraubstock eingespannt ist. Mit einem zweiten Locheisen und einem Hammer auf den oberen Teil des Stiftes der Stecknuss schlagen. Das sollte sowohl für den oberen als auch den unteren Teil des Stiftes ausreichen. Den Vorgang sonst wiederholen.
 - Die zweite Methode zum Einschlagen der Stifte der Stecknüsse sieht die Verwendung eines Spezialwerkzeugs vor. Dieses Einschlagwerkzeug kann einfach angefertigt werden, indem man einen festen unteren Klotz mit Spitze, einen eckigen oder U-förmigen Bügel und einen oberen gleitenden Klotz mit Spitze oder Locheisen verwendet. Dieses Werkzeug kann sowohl mit einem Hammer als auch mit einer Presse benutzt werden.

- ① Nachdem der Haltestift der Stecknuss eingepresst worden ist, ist jeder aus der Stecknuss überstehende Teil desselben zu entfernen. Dazu einen Winkelschleifer mit mittlerer Schleifscheibe verwenden. Das Schleifen der Oberflächen der Stecknuss aus Titan ist zu vermeiden. Darauf achten, dass keine unbearbeiteten Bereiche oder Grate mehr vorhanden sind, die beim Gebrauch zur Verletzung der Hände führen könnten.
- ① Auf dem Außendurchmesser der Stecknuss, dort wo der Haltestift sich befindet, eine Schicht Metallband anbringen, um jedes Herausspringen des Stifts zu vermeiden.
- ① Jede Gruppe Schlagwerkdeckel dem entsprechenden Schlagschrauber zuordnen. Die Gruppe Stecknuss mit dem Schlagwerkdeckel wieder auf dem Schlagschrauber montieren. Dazu vier Schrauben und neue Unterlegscheiben benutzen.

WARTUNG

Vor jeder Wartung immer sicherstellen, dass der Druck aus der Luftzufuhrleitung des Schraubenschlagers abgelassen worden ist (kein pneumatischer Druck vorhanden), und erst danach den Schlagschrauber abtrennen und die Wartungsarbeit vornehmen.

- ① Nur empfohlene Schmierstoffe verwenden.
- ① In regelmäßigen Zeitabständen eine Menge Schmierstoff dazugeben (Spezialöl für Motoren der Paoli Schlagschrauber oder ein sehr flüssiges Öl für Druckluftwerkzeuge), um das Werkzeug effizient zu halten und seine Nutzungsdauer zu verlängern. Ein paar Tropfen Öl in den Lufterlass des Schlagschraubers geben (*siehe Abbildung Abb.2-A*).
- ① Den Schlagschrauber mindestens einmal pro Jahr an die PAOLI Strukturen senden, um eine vollständige Überholung vornehmen zu lassen.
- ① Keine Wartungseingriffe mit ungeeigneten Werkzeugen vornehmen. Die beiliegende Einzelteilzeichnung mit der Ersatzteilliste verwenden.
- ① Die stärkerem Verschleiß ausgesetzten Teile angeben, die zu regelmäßigen Intervallen auszubauen und zu kontrollieren sind, wie auch die Liste etwaiger Betriebsstörungen und der Korrekturmaßnahmen.
- ① Nur Original-Ersatzteile benutzen und sich nur an autorisierte Serviceorganisationen wenden.
- ① Vor jedem Rennen empfiehlt es sich, den Motor zu reinigen. Dazu Dieselkraftstoff (~10cm³) in den Lufterlass einfüllen und den Starthebel gedrückt halten. Dann den Schlagschrauber im und entgegen dem Uhrzeigersinn laufen lassen (Achtung: Dabei tritt Luft aus dem Lufterlass des Schlagschraubers aus - *siehe Abbildung Abb.2-B*). Nach dem Ausspülen des Motors den Vorgang mit dem Motor-Spezialöl für Paoli-Schlagschrauber (~5cm³) oder mit sehr flüssigem Öl für Druckluftwerkzeuge wiederholen. Diese Arbeiten sind in einen geeigneten Raum auszuführen, der für die Absaugung der zerstäubten Partikel ausgerüstet ist. Geeignete persönliche Schutzausrüstungen benutzen.
- ① Wenn der Schlagschrauber für längere Zeit nicht benutzt wird, sollte Öl (Motor-Spezialöl für Paoli-Schlagschrauber) in den Lufterlass eingefüllt werden (*siehe Abbildung Abb.2-A*), um ihn dann ein paar Sekunden laufen zu lassen, bevor man ihn wieder weglagt. Dann bleiben die Innenteile geschmiert.

DEMONTAGE

Die Bestandteile aufgrund der Beschaffenheit der Werkstoffe, aus denen sie bestehen, zerlegen. Die Entsorgung der Bestandteile hat unter Beachtung der geltenden Normen zu erfolgen.

ACHTUNG

Bei Anwendung von pneumatischen Werkzeugen immer die im Arbeitsbereich vorgeschriebenen Sicherheitsnormen, sowie die folgenden Anweisungen respektieren, um das Risiko von Umweltschäden und Unfällen einzuschränken.

- ▷ Schutzbrille und Gehörschutz tragen.
- ▷ Falls erforderlich Staubmaske und Arbeitshandschuhe.
- ▷ Geeignete Arbeitskleidung und Sicherheitsschuhe tragen.
- ▷ Das Gerät nicht kontinuierlich verwenden, sondern in regelmäßigen Abständen eine Pause vorsehen

Far die Sicherheit des Maschinenbedieners:

Den Arbeitsbereich immer gut sauber halten.

Ein unordentlicher Arbeitsplatz oder -tisch kann Ursache für Personenschäden sein.

Die Bedingungen des Arbeitsbereiches beachten.

Für geeignete Beleuchtung sorgen. Wenn die zu bearbeitenden Materialien Funken sprühen, die Werkzeuge nicht in Gegenwart von entflammaren Flüssigkeiten, Gasen oder Materialien einsetzen. Das Gerät nicht in explosionsgefährdeten Bereichen (ATEX) verwenden.

Unbefugte Personen fernhalten. Unbefugten verbieten, die Werkzeuge zu berühren. Alle Besucher müssen dem Arbeitsbereich ferngehalten werden.

Die Werkzeuge nicht überlasten. Sie leisten bessere Arbeit, sowohl in Hinsicht auf die Sicherheit, wenn sie von geeigneten Schläuchen versorgt werden, als auch bei in in diese handbuch angegebenen Druck.

Das geeignete Werkzeug verwenden. Abnutzungszustand der Arbeitsgeräte kontrollieren (Kraftschraubereinsätze usw.) bevor mit der Arbeit begonnen wird: Sind diese beschädigt oder abgenutzt, müssen sie ausgewechselt werden.

Missbräuchlicher einsatz ist absolut verboten:

- ▷ Das Gerät für andere Zwecke als die in diesem Handbuch genannten zu benutzen
- ▷ Das Gerät oder sein Zubehör gegen Menschen oder Tiere zu richten
- ▷ Das Gerät oder sein Zubehör als Hammer, Hebel oder zum Schlagen verwenden

Arbeitskleidung tragen. Keine weiten Kleidungsstücke oder Schmuck tragen, die sich in den beweglichen Teilen verhaken könnten. Es ist ratsam, Schutzhandschuhe und unfall- und rutschsichere Schuhe zu tragen, wenn man im Freien arbeitet. Für lange Haare die vorgesehene Haube verwenden.

Persönliche Schutzelemente verwenden. Jeder Arbeiter muß seine eigenen Schutzvorrichtungen benutzen und regelmäßig den Ohrschutz, die Sicherheitsbrille mit Antibeschlagmaske, Arbeitshandschuhe, Filtermaske sowie alle Schutzvorrichtungen benutzen, die dazu dienen, den Kontakt mit schädlichen Substanzen und Nebenerzeugnissen der Verarbeitung zu verhindern.

Anschluß an die Luftversorgung. Dieser muß immer unter Einhaltung der jeweils gültigen Sicherheitsvorschriften geschehen, wobei man bei Druckluft aufpassen muß, daß es nicht zu Peitschenhieben kommt (wenn der Schlauch birst) oder zu unbeabsichtigtem Abspringen des Schlauches. Auch die Gefahr von Kurzschlüssen in den elektrischen Leitungen muß vermieden werden.

Achtung! Abluft kann Schmiermittel oder andere Rückstände enthalten. Eine übermäßige Schmierung muß vermieden und Abluft darf keinesfalls eingeatmet werden; der Arbeitsplatz muß gut gelüftet werden und eventuell über Abluftanlagen verfügen.

Vor dem Anschluß kontrollieren, ob die Versorgung den Sicherheitsbestimmungen sowie den Vorgaben im Bedienungshandbuch entspricht.

Anlage zum Staubabsaugen anschließen. Wenn die handbuch für gebrauch und wartung eine Ausrüstung zum Staubsammeln vorsieht, ist zu kontrollieren, ob sie richtig an das Werkzeug angeschlossen und korrekt angewendet ist.

Den Versorgungsschlauch korrekt anwenden. Das an die Zufuhr angeschlossene Werkzeug nicht am Schlauch ziehend transportieren. Den Schlauch von Wärmequellen und scharfen Gegenständen fernhalten.

Das Werkstück befestigen. Entsprechende Vorrichtungen zum Einspannen der Werkstücke verwenden. Das ist sicherer, als die Hände zu verwenden, und diese bleiben so frei, um das Werkzeug einzusetzen. Kontrollieren, ob man in jedem Moment einen sicheren Stand hat und immer das Gleichgewicht halten.



Der Griff des Werkzeugs muß immer gut gehalten werden, dabei kann man eventuell Hilfsgeräte benutzen. Dieses Element dient dazu, die vom Körper übertragenen Schwingungen zu dämpfen.

Zubehör im Einsatz nicht berühren. Nie die Teile und/oder das Zubehör des Werkzeugs in Bewegung oder in Einsatz berühren.

Konzentriert arbeiten. Immer auf das Acht geben, was man macht. Mit Vorsicht fortschreiten. Nicht weiterarbeiten, wenn man müde ist.

Die Werkzeuge gepflegt halten. Die Werkzeuge in gutem und sauberem Zustand halten, um auf sichere Weise bessere Ergebnisse zu erzielen. Nie die Schutzvorrichtungen oder Schalldämpfer vom Werkzeug entfernen. Die Anweisungen für die Wartung und den Zubehöraustausch einhalten.

Verwendung und Montage des Zubehörs. Muß anhand der Anleitungen im Handbuch der Maschine erfolgen. Die Anwendung von Montagethoden und die Verwendung von Zubehör, die nicht mit den von uns empfohlenen übereinstimmen, kann zu Verletzungen führen.

Versorgung ausschalten. Nach Beendigung der Arbeit mit dem Gerät empfehlen wir, den Netzbereich, der dieses mit Strom oder Luft versorgt, auszuschalten, bevor man mit Einstell-, Instandhaltungs- oder anderen Arbeiten wie Auswechseln der Zubehör (Kraftschraubensätze usw.) beginnt.

Die Einsatzschlüssel entfernen. Vor dem Einsatz des Werkzeugs immer kontrollieren, ob Einsatz- und Einstellungsschlüssel abgezogen sind.

Beschädigte Teile kontrollieren. Bei der Lieferung muß kontrolliert werden, ob die Verpackung

nicht beschädigt worden ist und ob keine Spuren von Stößen oder Schäden vorhanden sind. Vor dem Einsatz des Werkzeugs aufmerksam die Leistungsfähigkeit und die perfekte Funktionstüchtigkeit der Schutzvorrichtungen und aller anderen Teile kontrollieren. Prüfen ob die Teile in Bewegung nicht beschädigt sind, ob ihre Bewegung nicht beeinträchtigt ist, oder ob irgendeine andere Bedingung besteht, die die Funktion des Werkzeugs beeinträchtigen könnte. Eine Schutzvorrichtung oder ein anderer beschädigter Teil muß von einem bevollmächtigten Servicezentrum ausgetauscht oder repariert werden, wenn nicht anders in diese handbuch angegeben.

Das Gerät sendet keine nichtionisierende Strahlung aus.

WICHTIG. Die Verwendung von Zubehör oder Ersatzteilen, die nicht in diese handbuch angegeben sind, kann Ursache von Unfällen sein.

Kein Element der Maschine darf verändert werden ohne Einwilligung durch PAOLI, auch Schutzschichten, Sicherheits- oder Kontrollvorrichtungen für den Luftausstoß (Filter, Abluftabweiser, usw.) dürfen nicht entfernt werden.

Die Arbeit muß unterbrochen werden, wenn Vibrationen oder abnormale Geräusche auftreten, das Gerät unregelmäßig funktioniert, usw.

Das Werkzeug von qualifiziertem Personal reparieren lassen. Dieses Druckluftwerkzeug entspricht den aktuellen Sicherheitsvorschriften. Reparaturen müssen von qualifiziertem Personal ausgeführt werden und die Ersatzteile müssen original sein, sonst könnten schwere Schäden für den Bediener entstehen.

LISTE DER RESTRIKEN

- o Bewegliche Teile
- o Sich drehende Elemente
- o Teile mit Kanten
- o Hochdruck
- o Erhitzte Teile
- o Auf die Hand und den Arm übertragene Schwingungen

- o Geräuschvoller Betrieb
- o Materialien oder Substanzen
- o Mangelnde Sicht
- o Nicht ausreichendes Licht
- o Raumtemperatur
- o Monotone Arbeit + Lärm + hohe Raumtemperatur

VERPACKUNG

Das Gerät wird in einer Schachtel geliefert, in der es mit Anti-Vibrations-Material geschützt ist. In der Verpackung befinden sich: der Anlasser,

das Handbuch, die Konformitätserklärung, das Zubehör und die im Handbuch genannten Schmiermittel für die Wartung.

PROBLEMLÖSUNGEN

PROBLEM	URSACHE	BEHEBUNG
Die Welle dreht sich nicht	Der Starthebel des Geräts ist nicht durchgedrückt	Drücken Sie den Starthebel
	Der Druck oder der Durchlass der Luftzufuhr ist nicht vorhanden oder unzureichend	Überprüfen Sie die Versorgungsleitung der Luftzufuhr.
	Die Temperatur ist zu niedrig	Arbeiten in einem Umfeld mit höherer Temperatur
	Das Gerät ist beschädigt	Kontaktieren Sie ein autorisiertes Service-Zentrum
	Falsche Stellung des Drehwechselrichters	Den Drehwechselrichter neu einstellen
Leistungsverlust	Der Starthebel des Geräts ist nicht durchgedrückt	Drücken Sie den Starthebel
	Der Druck oder der Durchlass der Luftzufuhr ist nicht vorhanden oder unzureichend	Überprüfen Sie die Versorgungsleitung der Luftzufuhr.
	Mangelnde Schmierung	Lesen Sie die Anweisungen und schmieren Sie das Gerät
	Verschmutzter Filter	Reinigen Sie den Filter
	Falsche Stellung des Drehwechselrichters	Den Drehwechselrichter neu einstellen
	Das Gerät ist beschädigt	Kontaktieren Sie ein autorisiertes Service-Zentrum
Das Gerät vibriert ungewöhnlich	Das Gerät ist nicht gut an den Mutter abgestützt	Legen Sie den Einsatz auf den Steckschlüssel
	Das Zubehör ist nicht korrekt verbunden	Verbinden Sie das Zubehör richtig
	Das Zubehör ist abgenutzt	Wechseln Sie das Zubehör aus
	Verschleiß des Gerätes	Kontaktieren Sie ein autorisiertes Service-Zentrum
Die Welle stoppt nicht, obwohl der Starthebel nicht gedrückt ist	Der Starthebel hat sich verklemmt	Schalten Sie den Strom aus

EG KONFORMITÄTSERKLÄRUNG

Gesamtmaschine

Wir

DINO PAOLI S.R.L. - Via G. Dorso, 5 - 42124 Reggio Nell'Emilia (Re) - Italy

erklären hiermit in alleiniger Verantwortung, daß das produkt:

Maschinentyp

DP 197 SFE

Schlagschrauber

TECHNISCHE DATEN

Siehe Abschnitt Attachments

SERIEN NR.

Siehe Rückseite

auf das sich diese Erklärung bezieht, den Anforderungen der Richtlinie für Maschinen 2006/42/EG

Name und Anschrift der zum Verfassen der technischen Dokumentation bevollmächtigten Person

Name: **Dr. Federico Galloni**

Anschrift: **DINO PAOLI S.R.L. - Via G. Dorso, 5 - 42124 Reggio Nell'Emilia (Re) - Italy**

Name und position des ersteliere:

Il Direttore / Managing Director

Dr. Federico Galloni



Reggio nell'Emilia (RE) - Italy - 11. Dezember 2015

EINGESCHRÄNKTE GARANTIEBEDINGUNGEN DES HERSTELLERS

Die von der DINO PAOLI S.r.l. gelieferten Garantiebedingungen lauten wie folgt:

- o Die vorgesehene Dauer beträgt 12 Monate ab dem Kaufdatum und ist auf nachweisbare Material- oder Verarbeitungsfehler beschränkt. Das Kaufdatum muss anhand eines Verkaufsbelegs nachprüfbar sein. Im Fall eines Schlagschraubers muss die Seriennummer des Schlagschraubens auf dem Dokument angegeben sein.
- o Die DINO PAOLI s.r.l. haftet nicht für Schäden, die durch eine andere als die vom Hersteller angegebene Verwendung entstehen, und es werden keine Ansprüche anerkannt.
- o Die Garantie gilt nicht, wenn das Produkt in einer anderen Weise als den Angaben des Herstellers entsprechend verwendet wurde. Die Garantie gilt nicht, wenn das Produkt von Personen repariert wurde, die nicht ausdrücklich von der DINO PAOLI s.r.l. autorisiert wurden.
- o Technische Eingriffe während des Garantiezeitraums führen nicht zu Verlängerungen oder Erneuerungen desselben; insbesondere werden solche Reparaturen oder Ersetzungen für den restlichen Zeitraum der ursprünglichen Garantiezeit garantiert.
- o Der vollständige Ersatz des Produkts ist nicht vorgesehen, mit Ausnahme eines offensichtlichen Mangels, der innerhalb von 8 Tagen nach Erhalt des Produkts gemeldet wird. Umgekehrt ersetzen wir im Rahmen der Garantie, einschließlich der Lohnkosten, die Komponenten, die notwendig sind, um den korrekten Betrieb der Produkts wiederherzustellen.
- o Der etwaige Austausch von Komponenten im Rahmen der Garantie ist eine unanfechtbare Entscheidung der DINO PAOLI s.r.l. nach Erhalt derselben. Eventuell ersetzte Komponenten bleiben Eigentum der DINO PAOLI s.r.l.
- o Das Produkt kann an ein autorisiertes Zentrum der DINO PAOLI s.r.l. geliefert werden, das sich um das Produkt kümmern wird. Die Liste der autorisierten Zentren ist unter sales@paoli.net verfügbar. Andernfalls muss es an die DINO PAOLI s.r.l. geschickt werden, wobei die Frachtkosten nicht von der DINO PAOLI s.r.l. übernommen werden.

DATOS TÉCNICOS

DESCRIPCIÓN

Llave de impacto neumática portátil proyectada para competiciones automovilísticas (motorsport) (Indicada para: GT, Endurance).

LUBRICACIÓN

Lubricación del mecanismo de impacto: Grasa especial para los mecanismos de impacto de las llaves Paoli. Lubricación motor neumático: Aceite de elevada fluidez para herramientas neumáticas o Aceite especial para el motor de las llaves de impacto Paoli.

CONDICIONES AMBIENTALES

Temperatura de uso: -5°C a + 45°C

Temperatura de almacenamiento: de 0°C a + 40°C

Humedad de aire: <80%

Altitud máxima: 2000m desde el nivel del mar

USO PREVISTO

Herramienta para el ensamblado de elementos de conexión roscados en los servicios de pit stop.

Peso (kg)	4,60
Longitud (mm)	200
Accionamiento cuadrado	1"
Entrada aire	3/8" BSP
Diámetro interior tubo alimentación	1/2" (13 mm)
Máxima velocidad en vacío (RPM)	7.900** (a 20 bar)
Máximo peso aconsejado para la llave de vaso (kg)	0,70
Presión neumática de uso (bar)	20 (máxima)
Par Máximo* (Nm)	1.900**

ESQUEMA INSTALACIÓN DE ALIMENTACIÓN AIRE

Véase figura Fig.3.

- ① Está permitido el uso exclusivamente en instalaciones industriales de aire comprimido.
- ① Utilizar una instalación de alimentación que respete los valores de presión indicados (máx. 10% superior al valor máximo indicado) utilizando un reductor de presión alimentado por una instalación que respete las normas de seguridad vigentes y que esté sujeta a controles periódicos.
- ① Los componentes de la instalación de alimentación deben estar diseñados y fabricados de conformidad con las prescripciones de seguridad contenidas en las normativas internacionales vigentes.
- ① Antes de efectuar cualquier trabajo en la instalación verificar siempre que la línea esté despresurizada (que no tenga presión neumática).
- ① Se aconseja utilizar un tubo flexible para aire comprimido con una longitud mínima de 46 cm (18") con una conexión roscada, a enroscar en la entrada del aire de la llave de impacto, y acoplamiento rápido macho en el otro extremo.
- ① Conectar el tubo flexible al reductor de presión mediante un específico tubo de alimentación.
- ① Usar un tubo de alimentación con un diámetro interior de por lo menos 13 mm (1/2") idóneo para el uso previsto.

* Estas prestaciones se lograron después de haber probado la llave de impacto en un banco de prueba, que está provisto de bulones fijos, que han sido apretados por 5 segundos. Se recuerda que, durante el apriete/aflojado en un cubo de la rueda de un vehículo de GT o BTCC se pierde la mayor parte del par, debido a la rotación del cubo. Además las prestaciones cambian según el tiempo de funcionamiento de la llave en cada tuerca. Se recuerda que el tiempo correcto de funcionamiento en cada tuerca es medianamente de un segundo.

** DP 197 SFE versión No Diferenciada (UH): Máxima velocidad en vacío equivalente a 7.500 RPM (a 20 bar) - Par máximo equivalente a 1.800 Nm.

ADVERTENCIAS GENERALES

- ① Llave de impacto está destinada a un uso profesional por parte de personal especializado, adecuadamente capacitado y con las necesarias competencias técnicas.
- ① No utilizar la llave de impacto sin los dispositivos de seguridad previstos.
- ① El eje porta-vaso de la llave de impacto y la llave de vaso fijada en el mismo podrían seguir girando algunos instantes luego de quitar la palanca de arranque.
- ① Verificar que el adhesivo de WARNING (véase figura Fig.1-W) esté presente y sea legible, de lo contrario sustituirlo con otro nuevo, colocándolo en su posición original.
- ① No usar la llave de impacto con los tornillos de fijación de la tapa del mecanismo de impacto (véase Fig.1-E) o de la tapa del motor (véase figura Fig.1-P) flojos o con un par de apriete insuficiente (véase tabla Tab.A "Pares de apriete"). Si es necesario ajustarlos en modo correcto con una llave dinamométrica siguiendo el orden de apriete indicado (véanse figuras Fig.2-E y Fig.2-F).
- ① Prestar atención al aire de descarga que sale de la llave de impacto durante su funcionamiento (véase figura Fig.2-B). Para no comprometer las prestaciones de la llave de impacto no obstruir nunca estos agujeros de descarga.

GUÍA PARA EL USO

- ① Utilizar siempre una llave de impacto con un par de apriete adecuado al requerimiento de la aplicación.
- ① Prestar atención a la versión de la llave de impacto:
 - o la versión Veloz Izquierda (LH) afloja más rápidamente las tuercas apretadas en sentido horario;
 - o la versión Veloz Derecha (RH) afloja más rápidamente las tuercas apretadas en sentido antihorario;
 - o la versión No Diferenciada (UH) afloja a la misma velocidad las tuercas apretadas en cualquiera de los dos sentidos (horario/antihorario).
- ① Para no comprometer la funcionalidad del inversor, no desenroscar ni aflojar nunca la clavija de bloqueo del inversor (véase figura Fig.2-C).
- ① La regulación estándar de la fuerza necesaria para la translación del inversor, y por lo tanto para la inversión de marcha ha sido efectuada por Dino Paoli s.r.l.. No resulta posible personalizar la regulación de dicha fuerza (véase figura Fig.2-C).
- ① La modalidad de agarre correcta prevista para el uso de la llave de impacto es la siguiente (véase figura Fig.2-D):
 - o mano derecha aferrando la empuñadura principal;
 - o mano izquierda apoyada sobre la tapa del mecanismo de impacto.

Traducción de las instrucciones originales - El idioma original de esta instrucción es el inglés.

TAB. A	PARES DE APRIETE	
Tapa Mecanismo de Impacto	Tornillo M6	18 Nm
Tapa Motor	Tornillo M5	10 Nm

REGULACIÓN DE LA PRESIÓN DE AIRE

- ① Antes del uso, efectuar siempre una regulación dinámica de la presión de alimentación (véase figura Fig.5). Regular la presión del aire de alimentación, indicada en el manómetro de baja presión, girando el tornillo de ajuste del reductor de presión, manteniendo apretada la palanca de arranque.
- ① No superar el límite máximo de 20 bar de presión del aire de alimentación (con la llave de impacto en función).

GESTIÓN DE LOS MANDOS

- ① Desplazar el inversor (véase figura Fig.1-I) y apretar la palanca de arranque (véase figura Fig.1-Q). Véase la figura Fig.4 para identificar el sentido de rotación del eje porta-vaso.
- ① Para evitar arranques accidentales preste atención de no pulsar involuntariamente la palanca de arranque (véase figura Fig.1-Q).

MONTAJE DE LOS ACCESORIOS

Antes de cambiar un accesorio, cerciorarse siempre que la línea de alimentación neumática de la llave de impacto esté despresurizada (sin presión neumática) y sólo después desconectar la llave y efectuar la sustitución.

Utilizar exclusivamente accesorios adecuados para el trabajo a realizar (consultar nuestro catálogo accesorios).

Utilizar exclusivamente llaves de vaso de impulso con agujero para el pasador de retención.

No utilizar vasos cromados o para uso manual. No utilizar adaptadores del cuadrado (reducciones o ampliaciones).

Controlar siempre que el pasador de retención de la llave de vaso esté presente y esté bien puesto.

Para instalar una llave de vaso, operar del siguiente modo:

- ① Marcar cada tapa del mecanismo de impacto con el número de matrícula de la llave de impacto.

- ① Quitar los cuatro tornillos de la tapa del mecanismo de impacto y eliminar las arandelas.

- ① Aferrándola por el accionamiento cuadrado, quitar el eje porta-vaso, el rodamiento de la tapa del mecanismo de impacto y la tapa del mecanismo de impacto de la llave de impacto. El resorte de desconexión debe quedar con el eje ranurado, el acoplamiento y el volante. Conservar el eje porta-vaso, el rodamiento de la tapa del mecanismo de impacto y la tapa del mecanismo de impacto como grupo montado.

- ① Usando un bloque de aluminio de una dimensión adecuada se logrará sostener el accionamiento cuadrado desde abajo. Esto servirá de base para la prensadura de la llave de vaso en el accionamiento cuadrado. Verificar que el bloque sea bastante alto como para dejar espacio suficiente para la tapa del mecanismo de impacto.

- ① Lo ideal es un bloque de aluminio trabajado como para adaptarse tanto al diámetro interior como también a la superficie del vaso. El mismo servirá para empujar el vaso en el accionamiento cuadrado. Prestar mucha atención que la junta tórica (anillo de retención) no se dañe con la herramienta usada en el diámetro interior del vaso. La herramienta usada en la superficie de los imanes (por ej. para llaves de vaso con imanes) debe adaptarse correctamente para no dañar los imanes. En algunas situaciones un mismo bloque de aluminio podrá ser usado para la instalación, para presionar directamente sobre los dientes del vaso (por ej. llaves de vasos con dientes). Este no es un procedimiento aconsejado y se deberá usar exclusivamente cuando no se disponga de un instrumento de presión adecuado.
- ① Las llaves de vaso han sido proyectadas para permitir una inserción a presión en el accionamiento cuadrado. No modificar nunca las llaves de vaso ni los accionamientos cuadrados para permitir su inserción a mano o una instalación libre. Sustituir las antiguas llaves de vaso con deslizamiento libre.
- ① **IMPORTANTE:** Si en la llave de vaso existen partes magnéticas y de goma, no calentarla nunca para facilitar la inserción en el accionamiento cuadrado. Al calentar la llave se comprometerá la eficiencia del imán y se dañará el oxidístico que retiene los imanes en el vaso.
- ① Poner el eje porta-vaso, el rodamiento de la tapa del mecanismo de impacto y la tapa del mecanismo de impacto sobre un bloque fino de soporte de aluminio. Lubricar el accionamiento cuadrado y el cuadrado interno de la llave de vaso con un lubricante adecuado para el montaje. Pueden ser usados la mayor parte de los compuestos antigripaje y antidesgaste.
- ① Poner el eje porta-vaso junto con la tapa del mecanismo de impacto completo y el bloque de soporte en una prensa, regulando la altura como corresponda.
- ① Alinear los agujeros transversales para el pasador de retención y del accionamiento cuadrado. Poner la llave de vaso sobre el bloque a presionar. Verificando que el grupo esté alineado empezar a presionar el grupo con una presión reducida. En fase de instalación puede resultar necesario regular la prensa hidráulica con una presión mayor.
- ① Cuando los agujeros transversales de la llave de vaso y del accionamiento cuadrado estén casi alineados insertar el pasador en el vaso. Aplicando una presión lateral sobre el pasador seguir presionando el vaso en el accionamiento cuadrado. Al alinearse los agujeros el pasador se insertará con facilidad.
- ① Los pasadores de retención de los vasos se pueden insertar de dos modos.
 - Una posibilidad es usando dos punzones con extremos en punta de 45°. Poner el primer punzón con la punta orientada hacia arriba en las mordazas de una morsa y dar un giro de tornillo. Con la ayuda de otra persona poner el pasador en el agujero del vaso, colocar el vaso y el pasador en la punta del primer punzón fijo en la morsa. Usando el segundo punzón y un martillo golpear la parte superior del pasador del vaso. Esta operación debería bastar tanto para la parte superior como para la inferior del pasador; repetir la operación si es necesario.
 - El segundo método de inserción de los pasadores de los vasos es con una herramienta especial. Es posible fabricar dicha herramienta fácilmente usando un bloque inferior fijo con punta, un soporte cuadrado o "en U" y un bloque superior corredizo con punta o punzón. Esta herramienta podrá ser usada tanto con martillo como con prensa.

- ① Después de la inserción del pasador de retención en el vaso será necesario eliminar todo el saliente. Para ello usar una pulidora angular con disco abrasivo mediano. No rectificar las superficies de titanio del vaso. Prestar atención de no dejar zonas bastas o aristas que puedan causar heridas en las manos durante el uso.
- ① Aplicar una vuelta de cinta metálica en el diámetro exterior del vaso, en la zona del pasador de retención, para evitar que este último pueda salirse.
- ① Poner cada grupo de tapa de mecanismo de impacto con las respectivas llaves de impacto. Volver a montar el grupo vaso con mecanismo de impacto en la llave de impacto usando cuatro tornillos y arandelas nuevas.

MANTENIMIENTO

Antes de cada trabajo de mantenimiento, cerciorarse siempre que la línea de alimentación neumática de la llave de impacto esté despresurizada (sin presión neumática) y sólo después desconectar la llave y efectuar el mantenimiento.

- ① Utilizar sólo los lubricantes aconsejados.
- ① Con frecuencia de mantenimiento regular agregar lubricante (aceite especial para los motores de las llaves de impacto Paoli o aceite muy fluido para herramientas neumáticas), para mantener la herramienta eficiente y garantizar su durabilidad. Poner algunas gotas de aceite en la entrada de aire de la llave de impacto (véase figura Fig.2-A).
- ① Enviar la llave de impacto a las sedes de la firma PAOLI por lo menos una vez al año para la revisión completa.
- ① No efectuar tareas de mantenimiento con herramientas no adecuadas; consultar el dibujo de despiece con el listado de repuestos.
- ① Indicar las piezas más sujetas a desgaste, a desmontar y controlar con frecuencia regular, como así también el listado de los problemas de funcionamiento y las acciones a emprender.
- ① Utilizar sólo repuestos originales y contactar para los trabajos a talleres autorizados.
- ① Antes de cada carrera se aconseja limpiar el motor, introduciendo gasoil (~10cc) en la entrada de aire, manteniendo apretada la palanca de arranque; luego hacer funcionar la llave de impacto en sentido horario y antihorario (prestar atención al aire de descarga que sale de la llave de impacto durante esta operación - véase figura Fig.2-B). Después del lavado interno, repetir luego la operación con aceite especial para los motores de las llaves de impacto Paoli (~5cc) o aceite muy fluido para herramientas neumáticas. Efectuar estas operaciones en un ambiente adecuado, preparado para la aspiración de las partículas nebulizadas. Utilizar los equipos de protección individual necesarios.
- ① Si se deja inactiva la llave de impacto por un lapso de tiempo prolongado es conveniente introducir aceite (aceite especial para los motores de las llaves de impacto Paoli) en la entrada del aire (véase figura Fig.2-A) y hacerla funcionar algunos segundos antes de guardarla. Esto permite que las partes internas permanezcan lubricadas.

DEMOLICIÓN

Separar los componentes en base a la naturaleza de los materiales que los componen. Eliminar los componentes respetando las normativas vigentes.

ATENCIÓN

Cuando utilicen herramientas neumáticas, respetar siempre las normativas de seguridad previstas en su ambiente de trabajo y las siguientes instrucciones, para reducir el riesgo de daños ambientales y personales.

- ▷ Llevar gafas de protección y protector de oídos.
- ▷ De ser necesario llevar máscara antipolvo y guantes de trabajo.
- ▷ Ponerse vestimenta de trabajo adecuada y zapatos de seguridad.
- ▷ No utilice la herramienta de forma continua, predecir periódicamente un descanso

Para la seguridad del operador:

Mantener las áreas de trabajo bien limpias.

La área o la mesa de trabajo en desorden pueden causar daños personales.

Tener en consideración las condiciones del lugar de trabajo.

Asegurarse que exista una iluminación adecuada. Si los materiales que se trabajan producen chispas, no utilizar las herramientas en presencia de líquidos, gases o materiales inflamables. No utilice la herramienta en atmósferas potencialmente explosivas (ATEX).

Mantener las personas ajenas al trabajo alejadas y no dejar que toquen las herramientas. Todos los visitantes tienen que mantenerse alejados del área de trabajo.

No sobrecargar las herramientas. Estas trabajan mejor y en óptimas condiciones de seguridad si están alimentadas con tubos adecuados a las presiones indicadas en esto manual.

Usar la herramienta adecuada. Controle el estado de desgaste de las herramientas de trabajo (bocas de impactos, etc.), antes de ponerlas en marcha y reemplácelos si están dañados o desgastados.

Uso equivocado, es absolutamente prohibido:

- ▷ Utilizar la herramienta para cualquier propósito y o uso distinto de lo exigido en el presente manual
- ▷ Utilizar la herramienta o los accesorios contra personas o animales
- ▷ Utilizar la herramienta o accesorios como martillo, palanca o objeto contundente.

Llevar vestidos adecuados. No usar vestidos anchos o joyas que pueden quedar atrapados en las partes en movimiento. Se aconseja utilizar guantes de protección, zapatos contra accidentes y antirresvalamiento cuando se trabaja al aire libre. Utilizar un gorro si se lleva el pelo largo.

Usar protecciones personales. Use siempre auriculares para protegerse del ruido, gafas de protección y máscara facial filtrante y todo lo necesario para evitar el contacto con sustancias nocivas y productos derivados de la elaboración.

Conexión a la red de alimentación. Tiene que efectuarse siempre respetando las normas de seguridad locales teniendo cuidado, en el caso del aire comprimido, de evitar golpes de látigo (en caso de rotura del tubo), o desconexiones accidentales, y el peligro de un cortocircuito para la conexión eléctrica.

Riesgos del aire de expulsión que contenga lubricantes o residuos. Evite una lubricación excesiva y la inhalación del aire de expulsión; el área de trabajo tiene que estar bien ventilada y si fuera necesario dotada con conductores para el aire que se expulsa.

Compruebe que la red de alimentación sea conforme con los requisitos de seguridad y con las prescripciones que contiene el manual de instrucciones antes de efectuar la conexión.

Conectar los equipos para la aspiración del polvo. Si esto manual prevé equipos para recoger el polvo, asegurarse que estén conectados a las herramientas y funcionen correctamente.

Utilizar correctamente el tubo de alimentación. No arrastrar la herramienta conectado a la alimentación tirándola por el tubo. Mantener el tubo alejado de fuentes de calor y de objetos cortantes.

Bloquear la pieza que se tiene que trabajar. Utilizar dispositivos de bloqueo para sujetar la pieza. Es mucho más seguro que utilizar las manos y, de esta manera, ambas se encontrarán libres para manejar mejor la herramienta. Asegurarse de tener, en cualquier momento, un punto de apoyo fuerte así como mantener siempre el equilibrio.

Coja siempre firmemente el mango de la herramienta y si fuera necesario utilice las piezas auxiliares para ello. Esto servirá para reducir la vibración transmitida al cuerpo.



No tocar los accesorios durante el trabajo. No tocar las piezas y/o accesorios de la herramienta en movimiento o durante el trabajo.

Prestar atención. Prestar la máxima atención en el trabajo que se está efectuando. Actuar con cautela. No continuar el trabajo si se está cansado.

Mantener las herramientas con cuidado. Mantener las herramientas en buenas condiciones y bien limpias para obtener mejores resultados y de manera segura. No sacar nunca las protecciones y los silenciadores de las herramientas. Seguir las instrucciones para el mantenimiento y el cambio de los accesorios.

Uso y montaje de los accesorios. Hay que realizarlo según las instrucciones que contiene el manual de la máquina. El uso de los accesorios o de modalidades de montaje diferentes de los que se aconsejan pueden causar lesiones personales.

Quitar la alimentación. Cuando hemos terminado el trabajo, antes de realizar operaciones de ajuste, mantenimiento o sustitución de los accesorios como bocas de impacto, etc., aconsejamos desconectar la red de alimentación de la herramienta.

Quitar las llaves de servicio. Antes de utilizar la herramienta, controlar que se han quitado las llaves de servicio o de regulación.

Controlar las partes dañadas. Cuando llega el pedido, controle que el embalaje esté íntegro y que no tenga señales de golpes o de que lo hayan manipulado. Antes de utilizar la

herramienta, controlar atentamente la eficacia y el perfecto funcionamiento de los dispositivos de seguridad y de cualquier otra parte. Controlar que las partes móviles no se encuentren dañadas, que su movimiento no esté obstaculizado o cualquier otra condición que podría limitar el funcionamiento de la herramienta. Un dispositivo de protección o cualquier otra pieza dañada se tiene que cambiar o arreglar en un Centro de Asistencia autorizado, a menos que no se indique de manera diferente en este manual.

La herramienta no emite radiaciones que no sean ionizantes.

IMPORTANTE. El uso de accesorios y piezas de recambio diferentes a los aconsejados en este manual puede ser causa de lesiones personales.

No modifique ningún elemento de la máquina sin la autorización necesaria de PAOLI, ni quite las protecciones, los dispositivos de seguridad o de control del flujo del aire en la salida (filtros, deflectores, etc.).

Interrumpa el trabajo si hay vibraciones, ruidos anormales, o si nota un funcionamiento irregular de la herramienta, etc.

Hacer reparar las herramientas por personal calificado. Esta herramienta neumática es conforme a las normativas de seguridad vigentes. La reparaciones tienen que ser efectuadas por personal calificado, utilizando recambios originales ya que en caso contrario se pueden causar graves daños al operador.

LISTA DE RIESGOS RESIDUALES

- o Partes en movimiento
- o Elementos giratorios
- o Partes con angulos
- o Alta presión
- o Partes de alta temperatura
- o Funcionamiento con alta rumorosidad
- o Vibraciones transmitidas a la mano-brazo
- o Materiales o sustancias
- o La mala visibilidad
- o Bajo la luz
- o Temperatura ambiente
- o Actividades repetitivas + ruido + alta temperatura ambiente

PAQUETE

La herramienta se entrega dentro de una caja de cartón, protegido con material anti-vibración. Además de la llave de impacto, dentro de la caja, encontrarán las instrucciones

de uso y mantenimiento, la declaración de conformidad, los eventuales accesorios y los lubricantes indicados en este manual de uso y mantenimiento.

RESOLUCIÓN DE LOS PROBLEMAS

PROBLEMA	CAUSA	SOLUCIÓN
El Yunque no gira	Palanca de la herramienta no totalmente presionada	Presionar la palanca de arranque
	La presión o capacidad de la línea de alimentación de aire es poca e insuficiente	Compruebe la línea de alimentación de aire
	Temperatura demasiado baja	Operar en un entorno con mayor temperatura
	Problema o fallo con la herramienta	Póngase en contacto con un centro de Servicio Autorizado
	Posición del invertidor de rotación equivocada	Reposicionar el invertidor de rotación
Pérdida de rendimiento	Palanca de la herramienta no totalmente presionada	Presionar la palanca de arranque
	La presión o capacidad de la línea de alimentación de aire es poca e insuficiente	Compruebe la línea de alimentación de aire
	Falta de lubricación	Leer las instrucciones y lubricar la herramienta
	Filtro sucio	Limpiar el filtro
	Posición del invertidor de rotación equivocada.	Reposicionar el invertidor de rotación
	Problema o fallo con la herramienta	Póngase en contacto con un centro de Servicio Autorizado
La herramienta vibra anormalmente	La herramienta no está bien apoyada en la tuerca.	Poner correctamente la boca de impacto sobre la tuerca.
	Los accesorios no están conectados correctamente	Conectar correctamente los accesorios
	Los accesorios están desgastados	Cambiar los accesorios
	Desgaste de la herramienta	Póngase en contacto con un centro de Servicio Autorizado
El yunque no se detiene a pesar que la palanca de arranque no se presione	Palanca de arranque atascada	Desconectar la alimentación

DECLARACION DE CONFORMIDAD CE

Màquina individual

Nosotros

DINO PAOLI S.R.L. - Via G. Dorso, 5 - 42124 Reggio Nell'Emilia (Re) - Italy

declaramos bajo nuestra sola responsabilidad que el producto:

Tipo de màquina

DP 197 SFE

Llave de impacto

DATOS TÉCNICOS

Ver sección de Attachments

SERIE NR.

Ver contraportada

a que se refiere esta declaración, es conforme con la Directiva referente a maquinaria 2006/42/CE

Nombre y dirección de la persona autorizada en elaborar el expediente técnico

Nombre: **Dr. Federico Galloni**

Dirección: **DINO PAOLI S.R.L. - Via G. Dorso, 5 - 42124 Reggio Nell'Emilia (Re) - Italy**

Nombre y cargo del expedidor:

Il Direttore / Managing Director

Dr. Federico Galloni



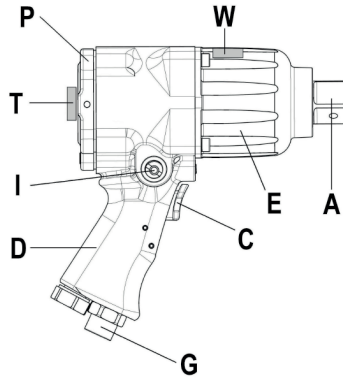
Reggio nell'Emilia (RE) - Italy - 11 Diciembre 2015

CONDICIONES DE GARANTÍA LIMITADA DEL FABRICANTE

Las condiciones de garantía suministradas por DINO PAOLI S.r.l. son las siguientes:

- o El período previsto es de 12 meses desde la fecha de compra y se limita a los defectos de material o de fabricación que sean demostrables. La fecha de compra debe poder ser verificada a través del documento de venta. En el caso de que se trate de un destornillador, en el documento debe estar indicado el número de serie del destornillador.
- o DINO PAOLI s.r.l. no será responsable y no se aceptarán reivindicaciones, por los posibles daños derivados del uso no conforme con las indicaciones brindadas por el fabricante.
- o La garantía no es válida si el producto ha sido usado de modo no conforme con las indicaciones brindadas por el fabricante. La garantía no es válida si el producto ha sido reparado por personal no autorizado explícitamente por DINO PAOLI s.r.l.
- o Las intervenciones técnicas durante el período de garantía no da lugar a prórrogas o renovaciones de la misma; dichas reparaciones o sustituciones están garantizadas por el período residual de la garantía original.
- o La sustitución completa del producto no está prevista, salvo que se trate de un defecto evidente, informado dentro de los 8 días de la recepción del mismo. Viceversa, nos encargaremos de realizar la sustitución en garantía, incluida la mano de obra, los componentes necesarios para restablecer el funcionamiento correcto del mismo.
- o La posible sustitución de componentes en garantía depende exclusivamente de la decisión de DINO PAOLI s., previa recepción de los mismos. Los componentes sustituidos seguirán siendo propiedad de DINO PAOLI s.r.l.
- o El producto puede ser entregado a un centro autorizado por DINO PAOLI s.r.l. que se encargará del producto. La lista de centros autorizados está disponible en la dirección de correo electrónico sales@paoli.net. Como alternativa, debe ser enviado a DINO PAOLI s.r.l., los costes de transporte no están a cargo de DINO PAOLI s.r.l.

Fig. 1



W: Warning label

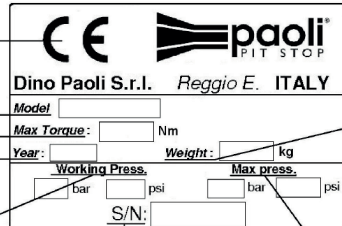
Marchio certificazione europea
European Certification mark

Modello
Model

Coppia massima
Max torque

Anno di produzione
Manufacturing year

Pressione di lavoro
Working pressure



T: identification label

Peso
Weight

Numero di matricola
Serial number

Pressione massima
Max pressure

	ITALIANO	ENGLISH	FRANÇAIS	DEUTSCH	ESPAÑOL
A	Attacco albero trazione	Square drive	Carré Conducteur	Vierkantaufnahme	Conexión cuadrata
C	Leva di avviamento	Trigger	Levier de Commande	Starthebel	Palanca de arranque
D	Corpo impugnatura	Gun body	Poignée	Handgriff	Empuñadura
E	Coperchio masse battenti	Hammer case	Couvercle Masses Battantes	Schlagwerkdeckel	Tapa Mecanismo de Impacto
G	Attacco aria compressa	Air inlet	Entrée Air	Lufteinlass	Entrada Aire
I	Invertitore di rotazione	Rotation reverse shaft	Boulon de commande	Steuerbolzen	Eje de rotacion inversa
P	Coperchio motore	Motor cover	Couvercle Moteur	Motordeckel	Tapa Motor
T	Etichetta di identificazione	Identification label	Plaque Signalétique	Kennschild	Placa de Identificación
W	Etichetta di avvertenze	Warning label	Adhésif de Warning	Warning-Aufkleber	Adhesivo de Warning

Fig. 2-A

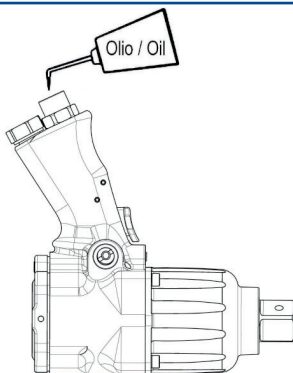


Fig. 2-B

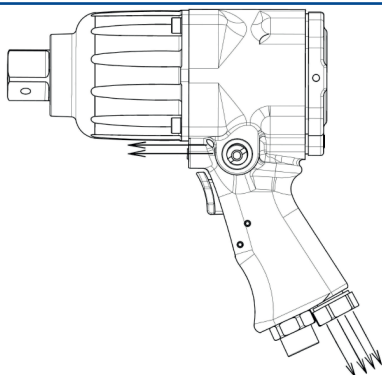


Fig. 2-C

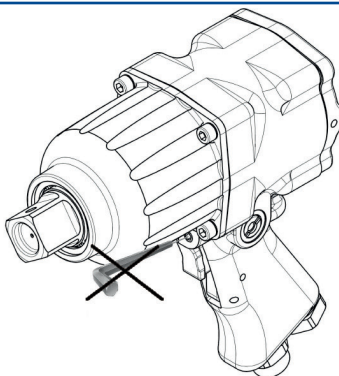


Fig. 2-D

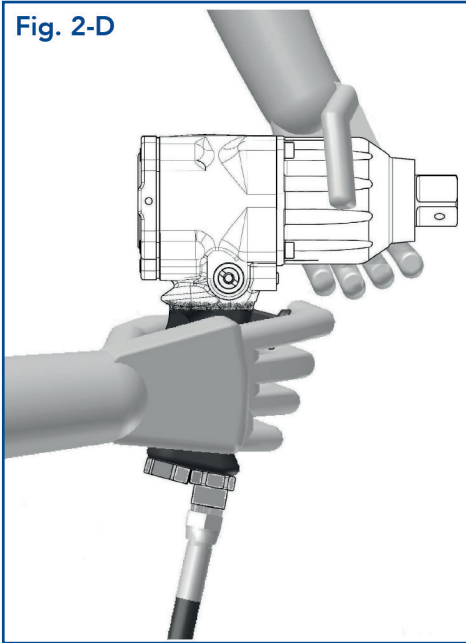


Fig. 2-E

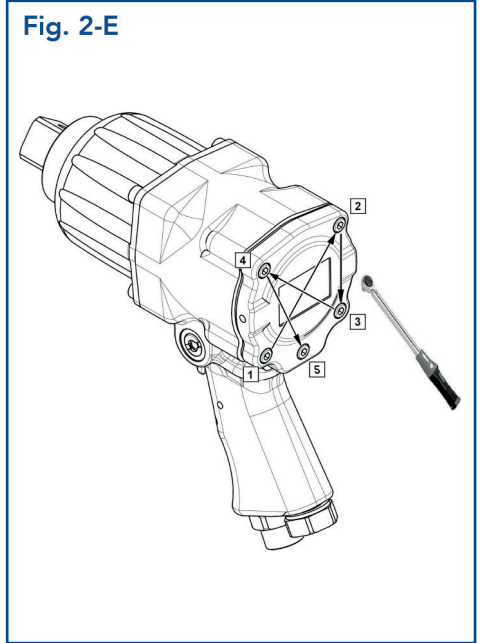


Fig. 2-F

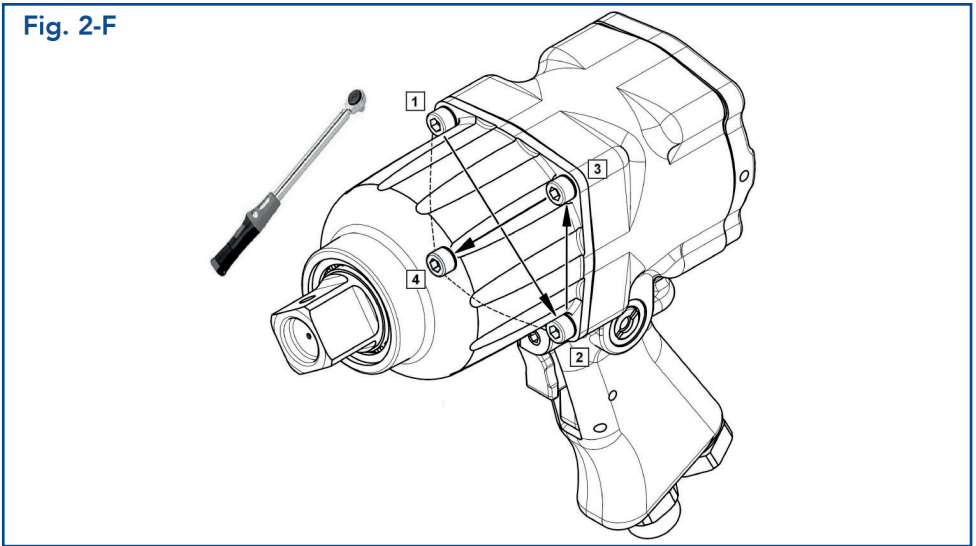
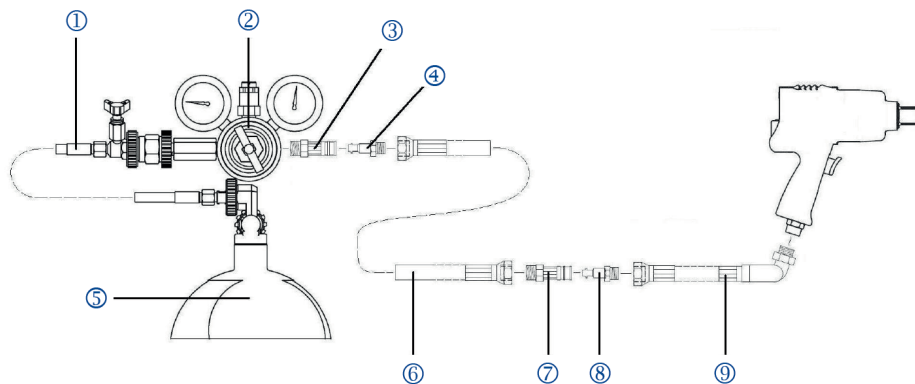


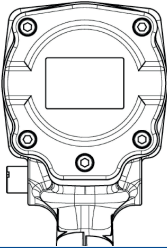
Fig. 3

AIR SUPPLY SYSTEM DIAGRAM

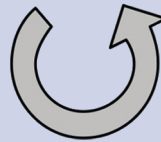
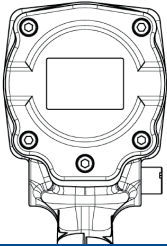


NUMBER	DESCRIZIONE	DESCRIPTION
1	Frusta di travaso	Transfer hose
2	Regolatore di pressione	Air pressure regulator
3	Valvola	Female quick disconnect coupling
4	Innesto	Male quick disconnect coupling
5	Bombola aria	Air bottle
6	Tubo	Hose
7	Valvola	Female quick disconnect coupling
8	Innesto	Male quick disconnect coupling
9	Tubo frusta	Whip hose

Fig. 4

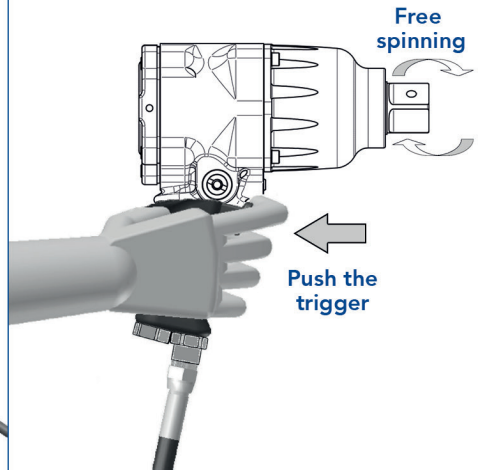
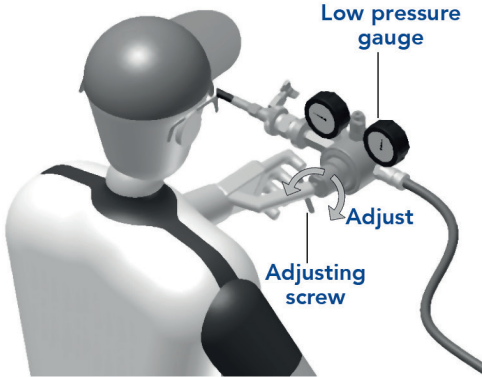


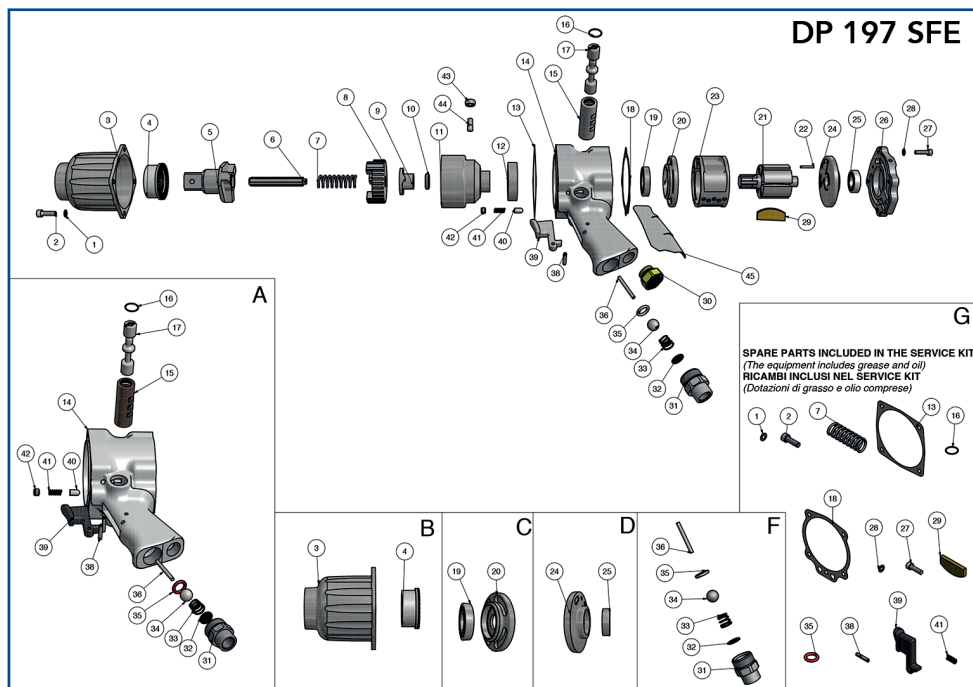
CLOCKWISE



ANTICLOCKWISE

Fig. 5





NUMBER	CODE	DESCRIZIONE	DESCRIPTION	N.
01	D.09.06.0002	Rondella Di Sicurezza S6	Lock Washer	4
02	D.09.01.0004	Vite Tcei M6x20	Socket Head Cap Screw, Clutch Cover	4
03	D.01.03.0073	Coperchio M.B. 197 SFE	Clutch Cover	1
04	D.01.15.0076	Cuscinetto Combinato	Combined Bearing	1
05	D.01.04.0042	Albero 1" - C/Foro - S/Gola Anello - Corto	1" Square Drive Shaft	1
06	D.01.05.0006	Albero Scan. 196-197	Clutch Shaft	1
07	D.01.12.0015	Molla 196-197	Clutch Spring	1
08	D.01.06.0016	Innesto 196-197	Clutch Plate	1
09	D.01.07.0006	Camma 176-196-197	Cam, Clutch	1
10	D.01.09.0008	Sede Alb. Scan. 176-196-197	Bushing, Clutch Housing	1
11	D.01.08.0015	Volano 196-197	Clutch Housing	1

NUMBER	CODE	DESCRIZIONE	DESCRIPTION	N.
12	D.01.15.0005	Cuscinetto A Sfere 6006	Ball Bearing	1
13	D.01.17.0023	Guarnizione Anteriore	Front Gasket (0,2 Mm.)	1
13	D.01.17.0022	Guarnizione Anteriore	Front Gasket (0,1 Mm.)	1
14	L.01.0075	Impugnatura Lavorata	Gun Body	1
15	D.01.13.0018	Boccola Invertitore 176-196-197	Bushing, Rotation Reverser Shaft	1
16	D.09.02.0018	Or Nbr 14X1	O-Ring, Rear Motor Cover	2
17	D.01.14.0007	Invertitore FRS 176-196-197	Rotation Reverser Shaft	1
18	D.01.17.0024	Guarnizione Motore	Rear Gasket	1
19	D.01.15.0018	Cuscinetto A Sfere 16004	Ball Bearing	1
20	L.08.0025	Flangia Motore Anteriore	Front Motor Housing	1
21	D.01.30.0017	Rotore 196S-197S	Rotor	1
22	D.09.12.0010	Rullo 3X15,8 A Testa Tonda	Stop, Pin Motor	1
23	D.01.18.0034	Cilindro	Main Motor Housing (Uh)	1
24	L.08.0024	Flangia Motore Posteriore	Rear End Plate	1
25	D.01.15.0017	Cuscinetto A Sfere 16002	Ball Bearing	1
26	D.01.02.0098	Coperchio Mot. Dp197sf Rh Vern. Rosso	Motor Cover, Rear - Red	1
26	D.01.02.0099	Coperchio Mot. DP 197SF LH Vern. Blu	Motor Cover, Rear - Blue	1
26	D.01.02.0100	Coperchio Mot. DP 197 SF UH Vern. Argento	Motor Cover, Rear - Silver	1
27	D.09.01.0015	Vite Tcei M5x18	Socket Head Cap Screw	5
28	D.09.06.0003	Rondella Di Sicurezza S5	Lock Washer	5
29	D.01.19.0031	Paletta MO 3000 Carbonio	Carbon Motor Vane	6
30	D.01.23.0007	Silenziatore Completo	Muffler	1
31	D.01.33.0009	Corpo Ingresso Aria	Reducer, Air Inlet	1

SPARE PARTS



NUMBER	CODE	DESCRIZIONE	DESCRIPTION	N.
32	D.01.25.0006	Filtro Aria D.15,9	Air Filter	1
33	D.01.12.0002	Molla Conica	Valve Spring	1
34	D.01.22.0001	Sfera Inox 9/16 Inch	Steel Ball	1
35	D.09.02.0003	OR Poliuretano 12X3	O-Ring 12X3 Mm.	1
36	D.01.31.0047	Perno Valvola	Valve Pin	1
37	D.01.13.0011	Boccola Perno Valvola	Bushing Valve, Pin	1
38	D.09.03.0002	Spina Elastica 4X20	Spring Pin	2
39	D.01.21.0001	Leva Avviamento	Trigger	1
40	D.01.31.0012	Perno Fase Invertitore	Pin, Rotation Reverser	1
41	D.01.12.0003	Molla	Spring, Rotation Reverser	1
42	D.09.01.0003	Vite Stei M8x6	Set Screw, Rotation Reverser	1
43	D.01.10.0003	Rullo Volano	Roller	1
44	D.01.11.0004	Perno Per Rullo Volano	Pin, Roller	1
45	T.02.0023	Etichetta Adesiva Impugnatura	Handle Sticker	1
A	D.01.01.0181	Impugnatura Completa Verniciata Argento	Whole Gun Body-Silver	1
A	D.01.01.0180	Impugnatura Completa Verniciata Rosso	Whole Gun Body-Red	1
A	D.01.01.0179	Impugnatura Completa Verniciata Blu	Whole Gun Body-Blue	1
B	D.01.37.0070	Coperchio Masse Battenti Completo	Whole Hammer Case With Bearing	1
C	D.01.16.0026	Flangia Motore Anteriore Completa	Front Motor Housing Complete	1
D	D.01.16.0024	Flangia Motore Posteriore Completa	Rear Motor Housing Complete	1
F	B.23.0064	Kit Ingresso Aria DP197 SF,197 S	Air Inlet Kit	1
G	B.23.0002	KIT Assistenza DP 197-S	Service Kit DP197S	1
G	B.23.0119	Kit Assistenza DP 176 SFE, 177SFE	Service Kit DP 176 SFE, 177SFE	1

TABLE SPECIFICATIONS

1	1"	4	33 m/s ² (K=1,6 m/s ²)	6	128,4-130,2 dB(A) (K _{WA} =3dB)
2	3/8" BSP	5	116,2-118,1 dB(A) (K _{pA} =3dB)	7	Molykote BR2 Plus
3	13 mm (1/2")				

DATI TECNICI

- | | |
|---|---|
| 1 Attacco quadro | 5 Pressione sonora - avvitamento/svitamento (ISO 15744) |
| 2 Ingresso aria | 6 Potenza sonora - avvitamento/svitamento (ISO 15744) |
| 3 Diametro interno tubo | 7 Lubrificazione masse battenti: Grasso |
| 4 Vibrazioni - triassiale (ISO 28927-2) | |

TECHNICAL DATA

- | | |
|--|---|
| 1 Square drive | 5 Sound pressure level tightening/loosening (ISO 15744) |
| 2 Air inlet | 6 Sound power level - screwing/unscrewing (ISO 15744) |
| 3 Inner hose diameter | 7 Hammer mechanism lubrication: Grease |
| 4 Vibration level - triaxial (ISO 28927-2) | |

FICHE TECHNIQUE

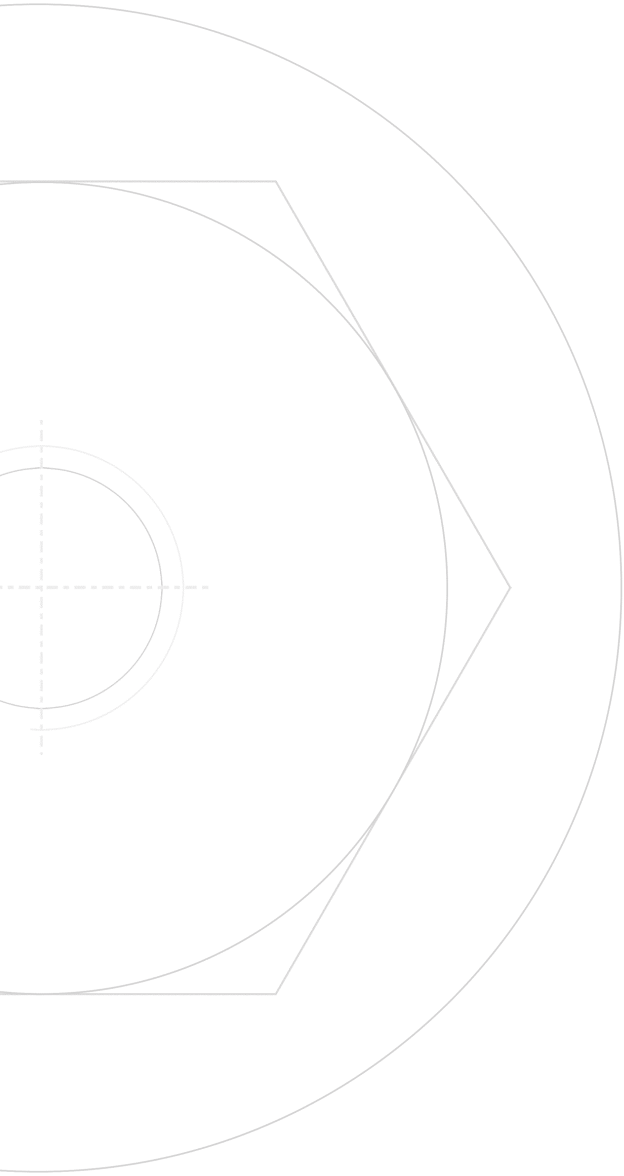
- | | |
|--|--|
| 1 Raccord carré | 5 Pression acoustique - vissage/dévisage (ISO 15744) |
| 2 Entrée d'air | 6 Puissance niveau sonore - vissage/dévisage (ISO 15744) |
| 3 Diamètre intérieur du tuyau de l'air | 7 Lubrification du marteau: Graisse |
| 4 Niveau de vibration - triaxial (ISO 28927-2) | |

TECHNISCHE DATEN

- | | |
|--|---|
| 1 Antriebsvierkant | 5 Schalldruck - Verschraubung/Ausschraubung (ISO 15744) |
| 2 Anschlußgewinde | 6 Schalleistungspegel - Verschraubung/Ausschraubung (ISO 15744) |
| 3 Schlauch I.W. | 7 Schmierung der Hämmer: Fetten |
| 4 Vibration - dreiachsigen (ISO 28927-2) | |

DATOS TÉCNICOS

- | | |
|--|--|
| 1 Conexión cuadrada | 5 Presión de sonido - roscar/desenroscar (ISO 15744) |
| 2 Conexión aire | 6 Potencia acústica - roscar/desenroscar (ISO 15744) |
| 3 Diámetro interior tubo alimentación | 7 Lubricación de martillos: Grasa |
| 4 Vibraciones - triaxial (ISO 28927-2) | |



DINO PAOLI s.r.l.
Via G. Dorso, 5 - 42124 Reggio nell'Emilia (RE) - Italy
Phone +39 0522 364 511 - Fax +39 0522 304 864
info@paoli.net - www.paoli.net