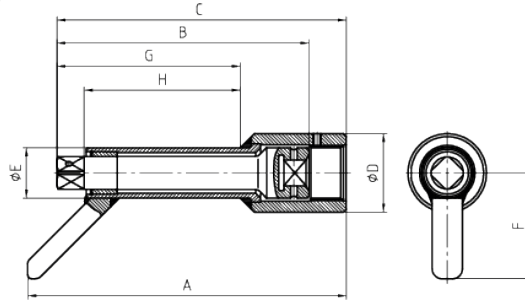


NUTRUNNERS' ACCESSORIES

WHEEL EXTENSION MEASUREMENTS PROLUNGHE DI COPPIA



Product Name Nome prodotto	Drive size Attacco	A	B	C	∅D	∅E	F	G	H
DPEXT-07	3/4" - 19 mm	9.38 in - 238 mm	6.90 in - 175 mm	8.27 in - 210 mm	2.76 in - 70 mm	1.89 in - 48 mm	3.94 in - 100 mm	4.57 in - 116 mm	3.62 in - 92 mm
DPEXT-07-8	3/4" - 19 mm	10.36 in - 263 mm	7.88 in - 200 mm	9.26 in - 235 mm	2.76 in - 70 mm	1.89 in - 48 mm	3.94 in - 100 mm	5.43 in - 138 mm	4.49 in - 114 mm
DPEXT-07-10	3/4" - 19 mm	12.33 in - 313 mm	9.85 in - 250 mm	11.23 in - 285 mm	2.76 in - 70 mm	1.89 in - 48 mm	3.94 in - 100 mm	7.56 in - 192 mm	6.61 in - 168 mm
DPEXT-07-13	3/4" - 19 mm	15.48 in - 393 mm	13.0 in - 330 mm	14.83 in - 365 mm	2.76 in - 70 mm	1.89 in - 48 mm	3.94 in - 100 mm	10.55 in - 268 mm	9.61 in - 244 mm
DPEXT-10	1" - 25 mm	9.50 in - 241 mm	6.90 in - 175 mm	8.35 in - 212 mm	3.07 in - 78 mm	2.05 in - 52 mm	4.33 in - 110 mm	4.37 in - 111 mm	3.23 in - 82 mm
DPEXT-10-8	1" - 25 mm	10.48 in - 266 mm	7.88 in - 200 mm	13.28 in - 237 mm	3.07 in - 78 mm	2.05 in - 52 mm	4.33 in - 110 mm	5.24 in - 133 mm	4.09 in - 104 mm
DPEXT-10-10	1" - 25 mm	12.45 in - 316 mm	9.85 in - 250 mm	11.31 in - 287 mm	3.07 in - 78 mm	2.05 in - 52 mm	4.33 in - 110 mm	7.36 in - 187 mm	6.22 in - 158 mm
DPEXT-10-13	1" - 25 mm	15.60 in - 396 mm	13.0 in - 330 mm	14.46 in - 367 mm	3.07 in - 78 mm	2.05 in - 52 mm	4.33 in - 110 mm	10.35 in - 263 mm	9.21 in - 234 mm
DPEXT-25	1" - 25 mm	10.05 in - 255 mm	6.90 in - 175 mm	8.51 in - 216 mm	3.55 in - 90 mm	2.36 in - 60 mm	5.32 in - 135 mm	4.06 in - 103 mm	2.99 in - 76 mm
DPEXT-25-8	1" - 25 mm	11.03 in - 280 mm	7.88 in - 200 mm	9.50 in - 241 mm	3.55 in - 90 mm	2.36 in - 60 mm	5.32 in - 135 mm	5.04 in - 128 mm	3.98 in - 101 mm
DPEXT-25-10	1" - 25 mm	13.0 in - 330 mm	9.85 in - 250 mm	11.47 in - 291 mm	3.55 in - 90 mm	2.36 in - 60 mm	5.32 in - 135 mm	7.01 in - 178 mm	5.94 in - 151 mm
DPEXT-25-13	1" - 25 mm	16.15 in - 410 mm	13.0 in - 330 mm	14.62 in - 371 mm	3.55 in - 90 mm	2.36 in - 60 mm	5.32 in - 135 mm	10.16 in - 258 mm	9.09 in - 231 mm

ACCESSORI PER NUTRUNNERS

REACTION ARM BRACCIO DI REAZIONE



*Weight, dimensions and max torque on demand
*Peso, dimensioni e coppia su richiesta



EXTENSION ESTENSIONE



MOBILE MEASURING UNIT UNITÀ DI MISURAZIONE MOBILE



The MMU measures the applied torque and the subsequent bolting process directly on site. The system works wirelessly during the bolting process and can easily be mounted to the torque tool.

Il MMU misura la coppia applicata e il successivo processo di bullonatura direttamente in loco. Il sistema funziona in modalità wireless durante il processo di bullonatura e può essere facilmente montato sullo strumento di coppia.

Product Name Nome prodotto	Reaction Arm Braccio di reazione	Extension Estensione
Max torque Coppia massima	4800 Nm 3540 ft-ls	4800 Nm 3540 ft-ls
Weight Peso	15,10 lbs 6,85 kg	8,96 kg 19,75 lbs
Dimensions Dimensioni	--	220 mm - 623 mm 8.6 in - 24.5 in

Product Name Nome prodotto	MMU-11	MMU-41	MMU-55
Range min-max	110-1100 Nm 81-811 ft-lbs	410-4100 Nm 302-3024 ft-lbs	550-5500 Nm 406-4056 ft-lbs
Compatible with Compatibile con	DP05-34B DP10-34B	DP20-10B DP30-10B DP36-10B	DP48-15B