

MOTORCYCLE SPORT

ACCESSORIES

DP 1050



DP 1040

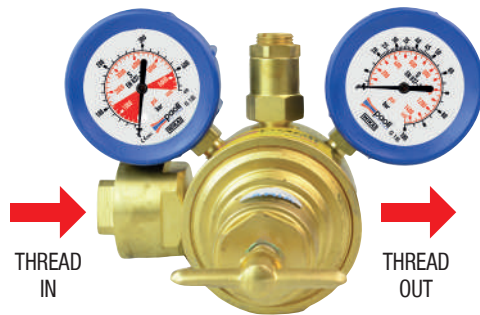


BUTTERFLY



PRODUCT NAME	DP 1050	DP 1040	BUTTERFLY
PRODUCT CODE	001050.00001	001040.00001	BUTTERFLY.001
SQUARE DRIVE	1/2"	1/2"	3/8"
BOLT RANGE	M10-M16	M10-M16	M10
MAX TORQUE	700 Nm (518 ft-lb)	650 Nm (479 ft-lb)	108 Nm (80 ft-lb)
WORKING TORQUE	100-600 Nm (74-444 ft-lb)	100-500 Nm (74-369 ft-lb)	10-100 Nm (10-75 ft-lb)
WEIGHT	1,3 kg (2.87 lbs)	1,3 kg (2.87 lbs)	0,53 kg (1.17 lbs)
FREE SPEED	9.000 rpm	9.500 rpm	12.000 rpm
MAX WORKING PRESSURE	6,3 bar (91 psi)	6,3 bar (91 psi)	6,3 bar (91 psi)
AIR INLET	1/4" NPT	1/4" NPT	1/4" NPT
INNER HOSE DIAMETER	9,5 mm (0.374")	9,5 mm (0.374")	9,5 mm (0.374")
LENGTH (WITHOUT ANVIL)	92 mm (3.62")	98 mm (3.86")	130 mm (5.11")

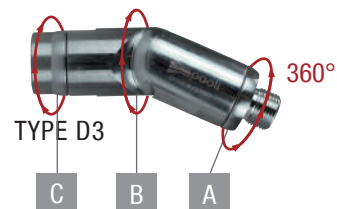
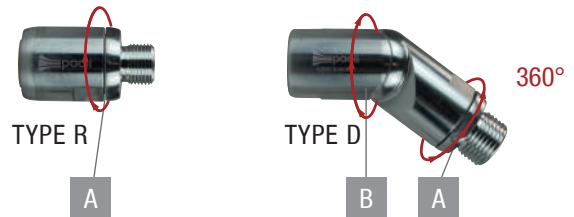
AIR PRESSURE REGULATOR F4



PISTON MECHANISM

CODE	B.40.0005	B.40.0030	B.40.0042
INLET PRESSURE	220 bar	220 bar	350 bar
MAX FLOW (20 BAR/OUT)	400 Nm ³ /h	400 Nm ³ /h	500 Nm ³ /h
GAUGES IN	0-450 bar	0-6500 PSI	0-450 bar
GAUGES OUT	0-100 bar	0-870 PSI	0-100 bar
OVER PRESSURE VALVE SETTING	50 bar	50 bar	50 bar
THREAD IN	1/4" BSP	1/4" BSP	1/4" BSP
THREAD OUT	3/8" BSP	3/8" BSP	3/8" BSP
FLOW	high	high	high
AIRJACK	•	•	•
HIGH FLOW FILTER	•	•	•
BALANCED	•	•	•

TURNING CONNECTORS



	PRODUCT CODE	MALE/FEMALE	INSIDE DIAMETER
TYPE D	B.43.0001	3/8" BSP	11 mm
TYPE R	B.43.0003	3/8" BSP	11 mm
TYPE D3	B.43.0002	3/8" BSP	11 mm

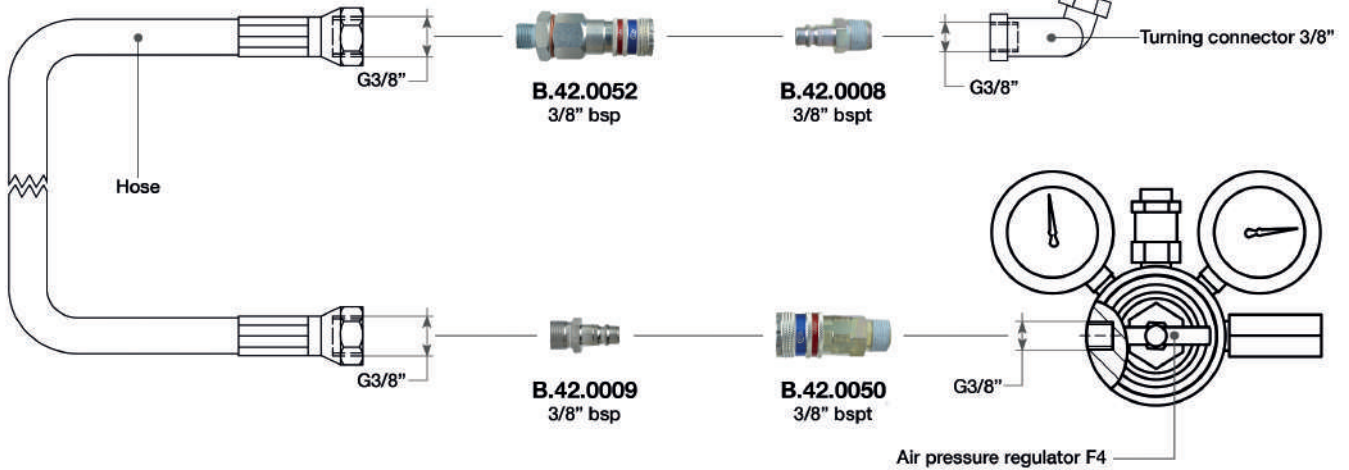
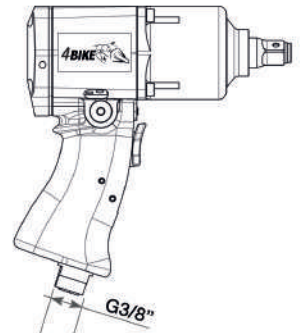
QUICK RELEASE COUPLINGS 3/8"



ESAFE SYSTEM - WITH SAFETY OUTLET

The new couplings eSafe by Cejn offer a higher flow, a compact design. They are extremely durable and easy to handle. They also have a function of safety outlet.

PRODUCT CODE	PRODUCT NAME	INSIDE DIAMETER	THREAD
B.42.0008	320-5154	7,6 mm (19/64")	3/8" bspt
B.42.0052	320-2204	7,6 mm (19/64") ID 60°	3/8" bsp
B.42.0009	320-5264	7,6 mm (19/64") ID 60°	3/8" bsp
B.42.0050	320-2154	7,6 mm (19/64")	3/8" bspt



HOSES



Technical data - bore size: 13 mm, braid od: 23,5 mm, working pressure: 75 bar.

A - SELECT LENGTH

CODE	LENGTH
B.41.1005	5 m
B.41.1006	6 m
B.41.1007	7 m

B, C - SELECT COUPLINGS

	ANGLE	3/8"
	0°	B.41.5002
Female	45°	B.41.5005
	90°	B.41.5008

COVERS



B.18.0006
4BIKE
TRANSPARENT
PLASTIC COVER



B.18.0037
DP1050
RUBBER COVER

AVAILABLE FOR	PRODUCT CODE
4BIKE	B.18.0006
DP1050	B.18.0037

AIR BOTTLE COMPRESSOR



DPH220

PRODUCT CODE	B.21.0102
PRODUCT NAME	DPH220
ENGINE	Single-phase Electric 2,2kW - 3,0HP
CAPACITY	100 l/min - 3,5 CFM - 6 m³/h
OPERATING PRESSURE	300 bar (4350 psi)
FILLING TIME	20' (air bottle 10 l - 0-200 bar)
NOISE LEVEL	79 dB
OVERALL DIMENSIONS	58x41x41 cm 22 7/8x16 9/64x16 9/64 inch
DRY WEIGHT	42,5 kg (93,7 lb)