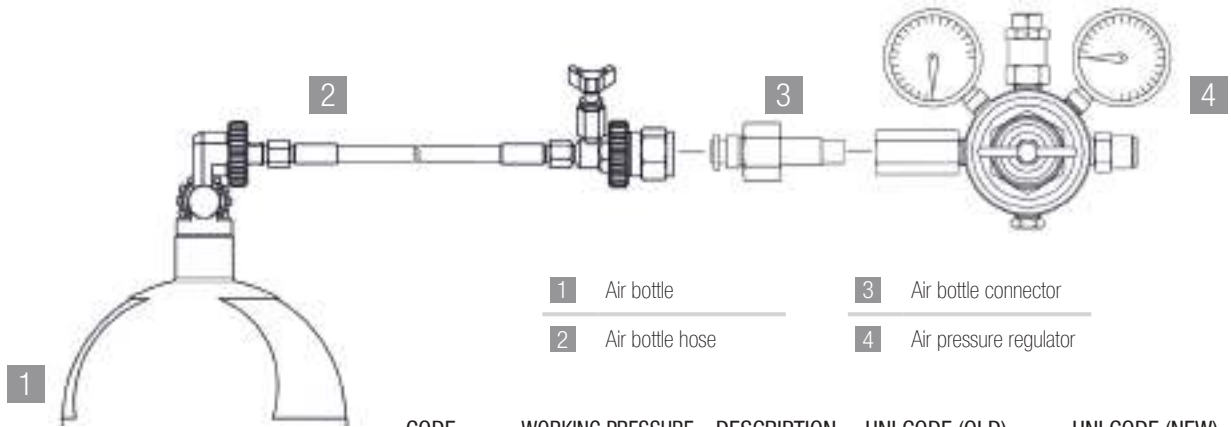


AIR BOTTLES AND TROLLEYS



AIR BOTTLE CONNECTORS



CODE	WORKING PRESSURE	DESCRIPTION	UNI CODE (OLD)	UNI CODE (NEW)
B.01.0001	220 bar	COD-BSP		BS341 NR3
B.01.0002	220 bar	COD-D		DIN 477-13
B.01.0003	220 bar	COD-FR-J	ex UNI 4406 02	UNI 11144 NR2
B.01.0004	220 bar	COD-FR-N2		NF E29-650
B.01.0005	220 bar	COD-IT	ex UNI 4410 AIR	UNI 11144 NR6
B.01.0006	220 bar	COD-N2	ex UNI 4409 N2	UNI 11144 NR5
B.01.0007	220 bar	COD-US	ex UNI 4412 AR-HE	UNI 11144 NR8
B.01.0011	220 bar	COD-J	JAPAN	
B.01.0014	220 bar	COD-IN	INDIAN STANDARD	3224 2002
B.01.0013	220 bar	COD-CN	CHINA	N2 G5/8"
B.01.0016	220 bar	CGA580	use with F1, F2, F4, F9	
B.01.0017	220 bar	CGA580	use with F6, F7	
B.01.0027	300 bar	DIN 300	with pin	

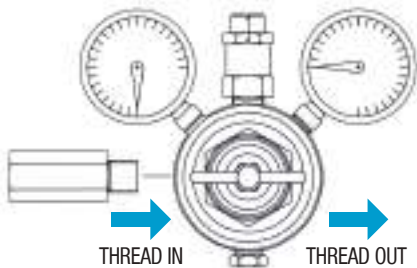
BOTTLE CONNECTION SUPPORT



B.40.0008

This support connects the air bottle connector to the air pressure regulator. Suitable for F1 and F2 air pressure regulators.

Technical Data:
Thread IN: 1/4" BSP female
Thread OUT: 3/8" BSP male



ADAPTERS

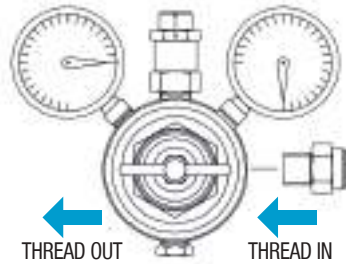


B.40.0056

NEW ADAPTER FOR PRESSURE REGULATORS

New adapter for air pressure regulators F40 and F15.

Technical Data:
Thread IN: 1/4" BSP female
Thread OUT: M15x1 male



AIR BOTTLE COVERS



AIR BOTTLE COVER FOR PAOLI AIR BOTTLES

- Black textile cover
- Available for 18 and 15 litres air bottles
- New design

PRODUCT CODE LITRES

B.22.05.0000 18

B.22.05.0001 15

AIRBOTTLES



COMPOSITE AIR BOTTLE WITH CARBON FIBER

Capacity: 9 liters
Max pressure at 15° C: 300 bar
Air bottles available versions:
- single connection (B.22.01.0012)
- double connection (B.22.01.0013)

Air bottle valves M18x1,5:
- single connection (B.22.04.0007)
- double connection (B.22.04.0008)

SINGLE INLET BOTTLE



B.22.01.0000
B.22.01.0002

DOUBLE INLET BOTTLE



B.22.01.0003
B.22.01.0001



C.01.0009

MOBILE AIR BOTTLE

Ideal to restore the tire pressure.
Equipped with: pressure gauge, air pressure regulator, hooking system on the belt.
Tyre inflating gun not included.

PRODUCT CODE	CAPACITY (LITRES)	PRESSURE (BAR)	CONNECTION	CONNECTION TYPE
B.22.01.0000	15	232	Single	INT - Female / DIN - Male
B.22.01.0003*	15	232	Double	INT - Female / DIN - Male
B.22.01.0002**	18	220	Single	INT - Female / DIN - Male
B.22.01.0001**/*	18	220	Double	INT - Female / DIN - Male
C.01.0009	1	200		

* Suggested in order to avoid to dismount the air pressure regulator while recharging the bottle

** Just on demand

AIR BOTTLE TROLLEYS



The single trolley can be converted in double trolley

C.01.0003 Single



The double trolley can be converted in single trolley

C.01.0002 Double

- Just one trolley capable to carry the 15 or the 18 litres bottles.
- The trolley has got a support specifically designed for the PAOLI PIT STOP® Regulators F1, F2, F4.
- Two brackets designed to roll and easily carry the supply hose.

AIR BOTTLE TROLLEY KIT included



Accessories included: belt, fixing nut and high pressure hose to connect the air bottle to the air pressure regulator.

PRODUCT CODE	OVERALL DIMENSIONS	WEIGHT (W/O BOTTLE AND REGULATOR)	WEIGHT (WITH BOTTLE AND REGULATOR)
C.01.0003	47,3 x 39,5 x 116 cm	10,1 kg	36,6 kg
C.01.0002	47,3 x 65 x 116 cm	18 kg	71 kg

DOUBLE TROLLEY KIT

Extra-strong micropallinated stainless steel chassis

Double connection bottles for easy filling

High pressure hose to connect the air bottle to the air pressure regulator.

C.01.0011

The kit includes:

- No. 1 double trolley
- No. 2 18 litres bottles with double connection
- No. 2 air bottle trolley kit
- No. 1 F4 air pressure regulator (DIN air bottle connector included)

Also available with 2 F4 air pressure regulators (code C.01.0013).



The air pressure regulator is protected by a roll-bar

Wheel gun holder

Hose holder

Large diameter wheels to overcome obstacles



It can be converted in single trolley

SINGLE TROLLEY KIT

Extra-strong micropallinated stainless steel chassis

Double connection bottle for easy filling

High pressure hose to connect the air bottle to the air pressure regulator.

The air pressure regulator is protected by a roll-bar

Wheel gun holder

Hose holder

Large diameter wheels to overcome obstacles

C.01.0010

The kit includes:

- No. 1 single trolley
- No. 1 18 litres bottle with double connection
- No. 1 air bottle trolley kit
- No. 1 F4 air pressure regulator (DIN air bottle connector included)



AIR JACK TROLLEY KIT

Extra-strong steel chassis

Wheel gun holder

Double connection bottle for easy filling

A metal bar protects the new position of the air pressure regulator.

Hose holder

Large diameter wheels to overcome obstacles

An assembly containing fewer connections between the air bottle and the air pressure regulator, making its final price more competitive while maintaining a high level of safety and quality.

The utilization of the trolley is possible both vertically and horizontally.



C.01.0019

The kit includes:

- No. 1 single trolley
- No. 1 15 litres bottle with double connection
- No. 1 F1 air pressure regulator (DIN air bottle connector included)

TRACK DAYS TROLLEY KIT

Simplified steel chassis

A metal bar protects the new position of the air pressure regulator.

Double connection bottle for easy filling

Hose holder

Large diameter wheels to overcome obstacles



The simplified steel chassis and the fewer connections between the air bottle and the air pressure regulator make the final price more competitive while maintaining a high level of safety and quality.

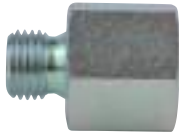
The utilization of the trolley is possible both vertically and horizontally.

C.01.0021

The kit includes:

- No. 1 single trolley
- No. 1 15 litres bottle with double connection
- No. 1 F1 air pressure regulator (DIN air bottle connector included)

NIPPLE FOR AIR BOTTLE



B.21.0089

Nipples 1/4" bsp female - 7/16" unf male

This is the nipple to adapt the air pressure regulators connectors to be connected to the air bottle through the high pressure hose coming from the high pressure compressor.

AIR BOTTLES VALVES



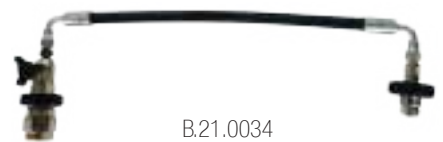
B.22.04.0001



B.22.04.0000

The air bottle valve is available with single or double connection. It can be fitted with the connection placed upon the air bottle collar M25x2.

AIR BOTTLE HOSE



B.21.0034

High pressure hose connection (220 bar) between air bottle and air pressure regulator. Equipped with paintball, connector and valve. Other dimensions available on demand.

