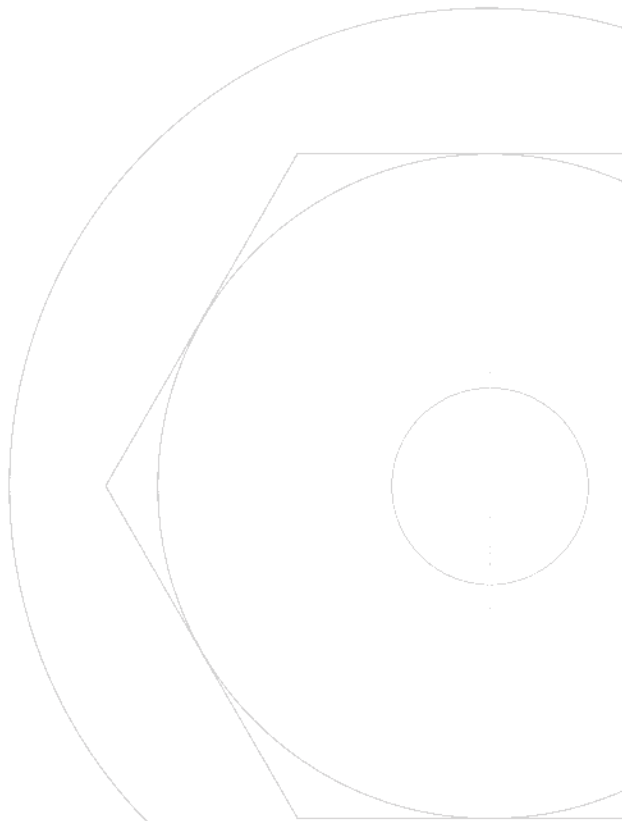


**OPERATING AND MAINTENANCE MANUAL
MANUALE D'USO E MANUTENZIONE**



**HURRICANE 2.0
SPLINE**

**CLASSIC HANDLE
(72° ANGLED HANDLE)**



paoli[®]
PIT STOP

Thanks for choosing a PAOLI product.

*Behind your impact wrench you have
the capacity and the diligence of a company team
which is working all the days to be able to offer you
always powerful, reliable and long lasting products.*

*From the Pit Lanes to any businesses,
your success is our goal!*

Grazie per aver scelto un prodotto PAOLI.

*Dietro il vostro avvitatore ci sono
la capacità e l'impegno di un team aziendale
che lavora tutti i giorni per essere in grado di offrirvi sempre
dei prodotti potenti, affidabili e durevoli nel tempo.*

*Dalle Pit Lanes a ogni tipo di attività,
il vostro successo è il nostro obiettivo!*



HURRICANE 2.0

OPERATING AND MAINTENANCE MANUAL

Safe operation of this tool is possible only when the operating instructions are read completely and the instructions contained therein are strictly observed.

The addresses of these instructions are professionals trained.

*THESE INSTRUCTIONS MUST ALWAYS BE WITH THE IMPACT WRENCH.
KEEP THEM IN A SAFE PLACE.*

MANUALE D'USO E MANUTENZIONE

Per poter lavorare con l'avvitatore senza esporsi a situazioni di pericolo è necessario leggere completamente le presenti istruzioni per l'uso e rispettare rigorosamente le indicazioni ivi contenute. I destinatari di queste istruzioni sono operatori professionali adeguatamente formati.

*QUESTE ISTRUZIONI DEVONO SEMPRE ACCOMPAGNARE L'AVVITATORE.
CONSERVARE CON CURA.*

ALLEGATI • ATTACHMENTS

Schede Tecniche • Technical Charts

Elenco Ricambi • Spare Parts

Dati Tecnici • Technical Data

4

13

22

TECHNICAL DATA

DESCRIPTION

Portable air impact wrench designed for motorsport application (Best Practice: Formula 1, Indycar).

LUBRICANT

Hammer mechanism lubrication: Special grease for Paoli air impact wrench hammer mechanism.

Air motor lubrication: Very fluid oil for air tools or Special oil for Paoli air impact wrench motors.

ENVIRONMENTAL CONDITIONS

Temperature: $-5^{\circ}\text{C} \div +45^{\circ}\text{C}$

Storage temperature: $0^{\circ}\text{C} \div +40^{\circ}\text{C}$

Air humidity: <80%

Max Altitude: 2000m from sea level

INTENDED USE

Assembly air tool for threaded fasteners in the pit stop service.

Weight (kg)	3,90
Length (mm)	203
Drive shaft	Spline
Air inlet	3/8" BSP
Supply hose inside diameter	1/2" (13 mm)
Maximum free speed (RPM)	15.000** (at 25 bar)
Max weight recommended power socket (kg)	0,70
Operating air pressure (bar)	25 (maximum)
Ultimate torque* (Nm)	4.300**

AIR SUPPLY SYSTEM DIAGRAM

View figure Fig.3.

- ① It is allowed to use exclusively on industrial plants with compressed air.
 - ① Make use of a supply system that observes the indicated pressure values (max 10% over the maximum value indicated) using an air pressure regulator supplied by a system observing the current safety standard, and that it is subjected to regular checks.
 - ① The components of the supply system must be designed and constructed in accordance with the safety requirements contained in current international standards.
 - ① Before any work on the supply system, always check that the line is depressurized (no air pressure).
- ① It is recommended to use a whip hose (flexible hose for compressed air with a minimum length of 46 cm (18 inch)) with a threaded male to connected to the air inlet of the wheel gun, and a male quick disconnect coupling at the other end.
 - ① Fit a the whip hose to the air pressure regulator using a specific supply hose.
 - ① Use a supply pipe of minimum inner diameter 13 mm (1/2 inch) suitable for its intended use, and crimped with 1/2" BSP fittings.
 - ① Use couplings with minimal nominal bore 10 mm (25/64 inch) suitable for their intended use.

* These performances have been obtained after having tested the wheel gun on a testing-bench, that is on fixed bolts, which have been tightened for 3 seconds. Please remind that, during the tightening/loosening on a Formula 1 car's wheel hub you lose most of the torque, due to the hub's spin. Furthermore the performances change depending on the wheel gun's operating-time on each nut, reminding that the correct operating-time on one single nut is, on average, less than one second.

** HURRICANE 2.0 Unhanded (UH) version: Maximum free speed is 14.800 RPM (at 25 bar) - Ultimate torque is 4.200 Nm.

GENERAL INSTRUCTIONS

- ① Wheel gun intended to be used for professional use by trained personnel and equipped with appropriate technical skills.
- ① Do not operate the wheel gun without the prescribed safety devices.
- ① Periodically check after each race the tightening of the retaining screw between the socket and the spline drive shaft.
- ① The drive shaft of the wheel gun and the socket fixed to it may continue to rotate for a short time after the release of the trigger.
- ① Verify that the WARNING label (view figure Fig.1-W) is present and legible, otherwise replace it by applying new one in the original position.
- ① Do not use the wheel gun with the screws of the clutch cover (view figure Fig.1-E) or the motor cover (view figure Fig.1-P) loose or not tight enough (see table Tab. A "Tightening Torques"). If not tighten them with a torque wrench following the tightening sequence shown (view figures Fig.2-F and Fig.2-G).
- ① Pay attention to the exhaust coming out by the wheel gun during operation (view figure Fig.2-B). To avoid compromise the performance of the wheel gun, not obstructed in any case these holes of exhaust.

OPERATING INSTRUCTIONS

- ① At the first use it is necessary to adjust the oiler (view Maintenance Instructions chapter).
- ① Always use a wheel gun with the tightening torque corresponding to the one required by the application.
- ① Please pay attention to your wheel gun version:
 - the Fast Left Hand (LH) version loosens nuts tightened clockwise faster;
 - the Fast Right Hand (RH) version loosens nuts tightened anticlockwise faster;
 - the Unhanded (UH) version loosens at same speed both the nuts tightened clockwise and anticlockwise.
- ① In order not to compromise the functionality of the wheel gun, do not unscrew or loosen never the nr.2 grub screws of the gun body (view figure Fig.2-H).
- ① In order not to compromise the functionality of the rotation reverse shaft, do not unscrew or loosen never the grub screw of the motor cover (view figure Fig.2-D).
- ① The standard adjustment of the force necessary for the translation of the rotation reverse shaft, and thus the reverse is already performed by Dino Paoli s.r.l.. A personalized set of this force is possible, however, for specific needs of the operator, acting uniformly on the nr.2 (two) rotation reverser grub screws (view figure Fig.2-C). Tightening the grub screws you will have an increase in the force required, loosening them you will have its decrease. Ensure that the individual regulation does not create problems of accidental reversal of the direction of rotation. Perform this adjustment always disconnected the wheel gun from the air supply.
- ① The modes for the correct grip intended for use of the wheel gun is as follows (view figure Fig.2-E):
 - right hand grip on the gun body;
 - left hand grip on the surface of the hammer case.

Original operating instructions - The original language of these instructions is English.

TAB. A	TIGHTENING TORQUES	
Clutch Cover	M6 Screw	16 Nm
Motor Cover	M5 Screw	10 Nm

REGULATION OF THE AIR PRESSURE

- ① Before the use, always perform a dynamic adjustment of the supply air pressure (*view figure Fig.5*). Adjust the supply air pressure on the low pressure gauge turning the adjusting screw of the air pressure regulator while keeping the trigger pressed.
- ① Do not exceed the maximum supply air pressure of 25 bar (with wheel gun running).

INSTALLATION OF ACCESSORIES

Before changing an accessory, always make sure that the air supply line is depressurized (no air pressure), and only after disconnecting the wheel gun and replace it.

Use only accessories suitable for the job (*view our catalogue for accessories*).

Use only Paoli spline wheel nut sockets.

Do not use chrome sockets or for manual use.

Do not use spline drive adapters (reductions or multiplies).

Always check that the retaining screw of the socket is present and secured firmly.

To install the wheel nut socket, proceed as follows (*view figure Fig.6*):

- ① Firmly fasten the wheel gun handle with a vise with soft jaws.
- ① Insert the socket (4) by coupling it with the spline part of the drive shaft (5).
- ① Position the self-locking washer (3), with the writing upwards, in the seat of the drive shaft (5).
- ① Position the Disc Spring (2) with the upper side (UP) outwards by orienting the cut for the anti-rotation in the seat obtained in the socket (4).

HANDLING

- ① Please pay attention to your wheel gun selector plate type (3 port or 2 port version).
- ① Slide the rotation reverse shaft (*see figure Fig.1-I*) and push the trigger (*view figure Fig.1-C*). See the figure *Fig.4* to identify the rotation direction of the spline drive.
- ① Avoid accidental starting, being careful not to unwittingly act on the trigger (*view figure Fig1-C*).

- ① The spline system is designed for assembly without the use of thread locking glue. If you want to use the glue for additional safety, pay attention, during disassembly, to the heating of the area in order not to damage the components.

- ① Assemble the screw (1) using a 22mm hexagon socket wrench, tighten with a torque wrench to a torque of 70-90Nm. To lock the rotation of the socket use the sector wrench cod. S.01.0300 by inserting it in the lateral holes.

- ① In order to visually check for any retaining screw (5) loosening, it is recommended to apply TORQUE SEAL paste with a brush in the screw tightening area. After application, wait for the TORQUE SEAL paste to solidify.

- ① The assembly is complete. After finishing the assembly, check that the spline socket (5) has no abnormal vibrations and that the socket body-drive shaft coupling (4-5) is consistent. Periodically also check the screw tightening.

MAINTENANCE INSTRUCTIONS

Before any maintenance, always make sure that the air supply of the wheel gun is depressurized (no air pressure), and only after unplugging the wheel gun and performing maintenance.

- ① Use only recommended lubricants.
- ① Every 20-30 cycles it is recommended to fill (special oil for Paoli air impact wrench motors or very fluid oil for air tools) the oil tank, by loosening (use a 14 mm hexagonal key) the oiler block (*view figure Fig.1-L*) in the bottom side of the wheel gun; then tighten again the oiler block (*view figure Fig.2-A*). The oil tank capacity is ~ 8 cc. These operations allow to keep the appliance efficient and to extend its service life.
- ① Setting the oiler: to change the setting, unscrew the locknut **1** with a 10 mm hexagon English key (*view figure Fig.2-A*) and then screw or unscrew the shutter **2** with a cutting screwdriver (*view figure Fig.2-A*) to obtain a smaller or greater flow. After adjustment, tighten locknut **1** to lock the setting.
- ① Ship the wheel gun back to the PAOLI facilities at least once per year for the complete overhauling.
- ① Do not carry out maintenance with improper tools, make use of the attached exploded drawing with the list of spare parts.
- ① Indicate the parts most subject to wear, to be dismantled and checked at regular intervals, as well as a list of malfunctions, if any, and the corrective action.
- ① Use only genuine spare parts and authorized service organizations.
- ① Before every race it is strongly recommended to run the wheel gun clockwise and anticlockwise (please pay attention to the exhaust coming out from the top of the wheel gun during this operation - *view figure Fig.2-B*) putting special oil for Paoli air impact wrench motors (~5cc) or very fluid oil for air tools into the air inlet. These operations must be performed in a suitably equipped working environment, complete with extraction equipment for nebulised particles. Use personal protective equipment.
- ① If the wheel gun is left unused for long periods we recommend putting some oil (special oil for Paoli air impact wrench motors) into the air inlet (*view figure Fig.2-I*) and letting it run for a few seconds before putting it away. In this way the internal components will remain lubricated.

SCRAPPING

Separate the components on the basis of the nature of the materials of which they are made. The components must be disposed of according to the laws in force.



CAUTION

When you use compressed air tools, always check that the safety regulations which apply in your workplace are respected, as well as those in the following instructions, in order to reduce the risk of environmental and personal damage.

- ▷ Wear safety glasses and hearing protection.
- ▷ If necessary, wear dust mask and gloves.
- ▷ Wear suitable working clothes and safety shoes.
- ▷ Do not use the tool continuously, do a break periodically

For operator safety:

Keep the work area clean. An untidy workplace or bench may cause personal damage.

Check the conditions of workplace. Check that the lighting is adequate. If the materials being worked produce sparks, do not use the tools in the presence of inflammable liquids, gases or material. Do not use the tool in potentially explosive atmospheres (ATEX).

Keep unauthorised persons at a safe distance. Do not let them touch the tools. Visitors should be kept away from the workplace.

Do not overload the tools. They will work better and in safe conditions if they are fitted with suitable tubing and are used at the pressure indicated in this manual.

Use the right tool. Check the conditions of the working tools (impact sockets, etc.) before each start-up and replace if damaged or worn.

Improper uses and absolutely forbidden:

- ▷ Use the tool for any purpose and uses different from that required in this manual
- ▷ Direct the tool or accessories against people or animals
- ▷ Use the tool or accessories like hammer, lever or blunt object

Wear suitable clothing. Do not wear clothing or jewellery which could get caught in moving parts. Protective gloves and non-slip safety shoes should be worn when working outside. Long hair should be kept in a hairnet.

Use personal protection. You should always wear noise-proof ear protection, safety goggles with de-mist screen, work gloves, filtered mouth mask and anything else necessary to prevent contact with harmful substances and sub-products of the working process.

Connection the power supply. This should always be done in respect of local safety regulations. In the case of compressed air, care should be taken to avoid whiplash (in case of tube breakage), or accidental unplugging, and the danger of short circuiting for electrical connections.

Risks of discharged air containing lubricator or residues. Avoid excessive lubrication and inhaling the discharged air; the work place should be equipped with conveyor ducts for the discharged air where necessary.

Check that the mains electricity supply complies with safety regulations and the requirements stated in the instructions manual before connecting up.

Connect the equipment for dust extraction. If the equipment for dust collection is included, check that these are connected to the tools and used correctly.

Check that the infeed tube is used correctly. Do not drag the tool connected to the power supply by pulling the tube. Keep the tube away from sources of heat and sharp objects.

Fasten the part to be worked. Use fastening devices to keep the part still. This is safer than using your hands and in this way they will both be free for working with the tool. Check that a firm resting point is always available and that the position is well-balanced.

Always keep a good grip on the handle of the tool, using special auxiliary devices where necessary. This will serve to reduce body vibration.

SAFETY INSTRUCTIONS



Accessories being operated. Do not touch parts and/or accessories of the tool which are moving or working.

Pay attention. Always pay attention to what are you doing. Proceed with care. Do not work when you are tired.

Look after the tools. Keep them clean and in good condition so that better results may be obtained safely. Never remove protection or silencers from the tool. Follow instructions for maintenance and for replacing the accessories.

Use and assembly of the accessories. This should be done according to the machine instructions manual. The use of accessories or assembly other than those recommended may cause personal harm.

Switch off the power supply. After each work session and before performing calibration, maintenance or replacement operations on the accessories such as impact sockets, etc., you are recommended to switch off the power supply to the tool.

Remove the service keys. Before using the tools, always check that the service or adjusting key has been removed.

Check damaged parts. When the goods are received, check that the packaging is intact and there are no signs of knocks or tampering. Before

using the tool, carefully check that the safety device and other parts are in perfect working conditions. Check that the moving parts are not damaged, that they are free to move, and check any other conditions that could limit the operation of the tool. A damaged protective device or other component must be replaced or repaired by an authorised Servile Centre unless otherwise indicated in this manual.

The tool does not emit non-ionizing radiation.

IMPORTANT. The use of accessories and spare parts other than those recommended in this manual may cause personal harm.

Do not alter any element of the machine or remove protective or safety devices, or elements for checking the outgoing air flow (filters, deflectors, etc.) without explicit authorisation from PAOLI.

Stop work immediately should vibrations or strange noises occur, or if the tool starts operating differently.

The tool should be repaired by a qualified personnel. This compressed air tool complies with current safety regulations. Repairs must be done by qualified personnel, using original spare parts, otherwise serious harm may be caused to the operator.

LIST OF RESIDUAL RISKS

- ▷ Moving parts
- ▷ Rotating elements
- ▷ Parts with edge
- ▷ High pressure
- ▷ High temperature parts
- ▷ Noise during the use
- ▷ Vibrations transmitted to the hand-arm
- ▷ Materials or substances
- ▷ Low visibility
- ▷ Low-light
- ▷ Ambient temperature
- ▷ Repetitive action + noise + environmental high-temperature

PACKAGE

The tool is delivered inside a carton box, protected with anti-vibration material.

Together with the impact wrench inside the box, you will find the manual of use and

maintenance, the declaration of conformity, other accessories and lubricants indicated in this manual of use and maintenance.

PROBLEM SOLVING

PROBLEM	CAUSE	REMEDY
The shaft does not rotate	Start lever tool not fully pressed	Press the start lever
	The pressure or the capacity of the line air alimentation is inadequate or nil	Check the line of air alimentation
	Temperature too low	Operate in an environment with higher temperature
	Tool failure	Contact an authorized service center
	Position of the inverter incorrect	Replace the inverter of rotation
Performance Drop	Start lever tool not fully pressed	Press the start lever
	The pressure or the capacity of the line air alimentation is inadequate or nil	Check the line of air alimentation
	Absence of lubrication	Read the instructions and lubricated the tool
	Dirty filter	Clean the filter
	Position of the inverter incorrect	Replace the inverter of rotation
	Tool failure	Contact an authorized service center
The tool vibrates abnormally	The tool is not well supported to the nut	Rest well the socket on the nut
	The accessories are not connected properly	Connect correctly accessories
	The accessories are worn	Replace the accessories
	Tool failure	Contact an authorized service center
The shaft does not stop despite the start lever is not pressed	Start lever jammed	Disconnect the power supply



EC DECLARATION OF CONFORMITY

Individual machine

We

DINO PAOLI S.R.L. - Via G. Dorso, 5 - 42124 Reggio Nell'Emilia (Re) - Italy

declare under our sole responsibility that the product:

Machine Type

HURRICANE 2.0 SPLINE

Air impact wrench

TECHNICAL DATA

View Attachments Section

SERIAL NO.

View back cover

to which this declaration relates, is in conformity with the requirements of the Machinery Directive 2006/42/EC

Name and address of the person authorized to draw up the technical file

Name: **Dr. Federico Galloni**

Address: **DINO PAOLI S.R.L. - Via G. Dorso, 5 - 42124 Reggio Nell'Emilia (Re) - Italy**

Name and position of issuer:

**Commercial and Marketing Director
& Executive Board Member**

Dr. Federico Galloni

Reggio nell'Emilia (RE) - Italy - November 6, 2022

TERMS AND CONDITIONS OF THE MANUFACTURER'S LIMITED WARRANTY

The terms and conditions of the warranty provided by DINO PAOLI S.r.l. are:

- A warranty period of twelve months from the date of purchase, limited to demonstrable defects in materials or manufacture. The receipt must be provided as proof of the date of purchase. In the case of an impact wrench, the registration number of the impact wrench must also be provided.
- DINO PAOLI s.r.l. may not be held liable, and will not accept any claims, for damages caused by improper use that does not comply with the manufacturer's instructions.
- The warranty is not valid if the product has been used in a manner that does not comply with the manufacturer's instructions. The warranty is not valid if the product has been repaired by personnel who have not been specifically authorised by DINO PAOLI s.r.l.
- Technical interventions during the warranty period do not extend or renew said warranty period; said repairs or replacements are guaranteed for the remaining period of the original warranty.
- Complete replacement of the product is not envisaged, except for a clear defect that has been reported within eight days of receiving the product. In contrast, we will replace under warranty the components necessary to restore its correct functioning, including labour.
- Any replacement of components under warranty is at the sole discretion of DINO PAOLI s.r.l., after it has received them. The replaced components will remain the property of DINO PAOLI s.r.l.
- The product may be delivered to a centre authorised by DINO PAOLI s.r.l., which will deal with the product. A list of authorised centres is available at the e-mail address sales@paoli.net. Alternatively, the product may be sent to DINO PAOLI s.r.l., but the shipping costs will not be paid by DINO PAOLI s.r.l.

DATI TECNICI

DESCRIZIONE

Avvitatore portatile pneumatico ad impulsi progettato per applicazione motorsport (Indicato per: Formula 1, Indycar).

LUBRIFICAZIONE

Lubrificazione masse battenti: Grasso speciale per le masse battenti degli avvitatori Paoli.

Lubrificazione motore pneumatico: Olio molto fluido per utensili pneumatici od Olio speciale per il motore degli avvitatori Paoli.

CONDIZIONI AMBIENTALI

Temperatura di utilizzo: -5°C ÷ +45°C

Temperatura di stoccaggio: 0°C ÷ +40°C

Umidità dell'aria: <80%

Altitudine max: 2000m dal livello del mare

USO PREVISTO

Utensile per l'assemblaggio di elementi di collegamento filettati nei servizi di pit-stop.

Peso (kg)	3,90
Lunghezza (mm)	203
Attacco albero trazione	Spline
Entrata aria	3/8" BSP
Diametro interno tubo alimentazione	1/2" (13 mm)
Massima velocità a vuoto (RPM)	15.000** (a 25 bar)
Massimo peso raccomandato per la chiave a bussola (kg)	0,70
Pressione pneumatica di utilizzo (bar)	25 (massima)
Coppia Massima* (Nm)	4.300**

SCHEMA IMPIANTO DI ALIMENTAZIONE ARIA

Vedi figura Fig.3.

- ① E' consentito l'uso esclusivamente su impianti industriali ad aria compressa.
- ① Servirsi di un impianto di alimentazione che rispetti i valori di pressione indicati (max. 10% in più del valore massimo indicato) utilizzando un riduttore di pressione alimentato da un impianto che rispetti le vigenti norme di sicurezza, e che sia sottoposto a controlli periodici.
- ① I componenti dell'impianto di alimentazione devono essere progettati e costruiti in conformità alle prescrizioni di sicurezza contenute nelle normative internazionali vigenti.
- ① Prima di un qualsiasi intervento sull'impianto, verificare sempre che la linea sia depressurizzata (assenza di pressione pneumatica).

- ① Si raccomanda di usare un tubo frusta (tubo flessibile per aria compressa con una lunghezza minima di 46 cm (18")) con un attacco filettato, da avvitare all'ingresso aria dell'avvitatore, ed attacco rapido maschio all'altro estremo.
- ① Collegare il tubo frusta al riduttore di pressione mediante uno specifico tubo di alimentazione.
- ① Usare un tubo di alimentazione del diametro interno di almeno 13 mm (1/2") idoneo all'utilizzo previsto e raccordato 1/2" BSP.
- ① Usare raccordi con minimo diametro di passaggio di 10 mm (25/64") idonei all'utilizzo previsto.

* Queste prestazioni sono state ottenute dopo aver testato l'avvitatore su di un banco prova, che è dotato di bulloni fissi, che sono stati serrati per 3 secondi. Si ricorda che, durante l'avvitamento/svitamento su di un mozzo della ruota di una vettura di Formula 1 si perde la maggior parte della coppia, a causa della rotazione del mozzo. Inoltre le prestazioni cambiano a seconda del tempo di funzionamento dell'avvitatore su ogni dado, ricordando che il corretto tempo di funzionamento su un singolo dado è, in media, meno di un secondo.

** HURRICANE 2.0 versione Non Differenziata (UH): Massima velocità a vuoto è pari a 14.800 RPM (a 25 bar) - Coppia massima è pari a 4.200 Nm.

AVVERTENZE GENERALI

- ① Avvitatore destinato ad essere utilizzato per uso professionale da personale specializzato addestrato e dotato di appropriate competenze tecniche.
- ① Non utilizzare l'avvitatore senza i prescritti dispositivi di sicurezza.
- ① Verificare periodicamente dopo ogni gara il serraggio della vite di ritegno tra bussola e albero portabussola.
- ① L'albero portabussola dell'avvitatore e la chiave a bussola ad esso fissato potrebbero continuare a ruotare per breve tempo dopo il rilascio della leva di avviamento.
- ① Verificare che l'adesivo di WARNING (vedi figura Fig.1-W) sia presente e leggibile, in caso contrario sostituirlo applicandone uno nuovo nella posizione originale.
- ① Non utilizzare l'avvitatore con le viti di serraggio del coperchio masse battenti (vedi figura Fig.1-E) o del coperchio motore (vedi figura Fig.1-P) allentate o non sufficientemente serrate (vedi tabella Tab. A "Coppie di Serraggio"). In caso contrario serrarle adeguatamente con una chiave dinamometrica seguendo l'ordine di serraggio indicato (vedi figure Fig.2-F e Fig.2-G).
- ① Prestare attenzione all'aria di scarico che fuoriesce dall'avvitatore durante il funzionamento (vedi figura Fig.2-B). Per non compromettere le prestazioni dell'avvitatore non ostruire in nessun caso tali fori di scarico.

GUIDA ALL'USO

- ① Al primo utilizzo è necessario procedere alla regolazione dell'oliatore (vedi Capitolo Manutenzione).
- ① Usare sempre un avvitatore con la coppia di serraggio corrispondente a quella richiesta dall'applicazione.
- ① Prestare attenzione alla versione del tuo avvitatore:
 - la versione Veloce Sinistro (LH) svita più velocemente i dadi avvitati in senso orario;
 - la versione Veloce Destro (RH) svita più velocemente i dadi avvitati in senso antiorario;
 - la versione Non Differenziata (UH) svita alla stessa velocità sia i dadi avvitati in senso orario che antiorario.
- ① Per non compromettere la funzionalità dell'avvitatore, non svitare od allentare mai i n°2 grani dell'impugnatura (vedi figura Fig.2-H).
- ① Per non compromettere la funzionalità dell'invertitore, non svitare od allentare mai il grano del coperchio motore (vedi figura Fig.2-D).
- ① La regolazione standard della forza necessaria per la traslazione dell'invertitore, e dunque per l'inversione di marcia risulta già eseguita da Dino Paoli s.r.l.. Una taratura personalizzata di tale forza è però possibile, per specifiche esigenze dell'operatore, agendo uniformemente sui n°2 (due) grani di fermo invertitore (vedi figura Fig.2-C). Avvitando i grani si avrà un aumento della forza necessaria, svitandoli si avrà una sua diminuzione. Prestare attenzione che la regolazione personalizzata non crei problemi di inversione accidentale del senso di marcia. Eseguire tale regolazione sempre con avvitatore scollegato dall'alimentazione pneumatica.
- ① La modalità di presa corretta prevista per l'utilizzo dell'avvitatore è la seguente (vedi figura Fig.2-E):
 - mano destra in presa sull'impugnatura principale;
 - mano sinistra in presa di appoggio sul coperchio masse battenti.

Traduzione dalle istruzioni originali - La lingua ufficiale di queste istruzioni è l'inglese.

TABELLA A	COPPIE DI SERRAGGIO	
Coperchio masse battenti	Vite M6	16 Nm
Coperchio motore	Vite M5	10 Nm

REGOLAZIONE DELLA PRESSIONE D'ARIA

- ① Prima dell'uso, eseguire sempre una regolazione in dinamico della pressione di alimentazione (vedi figura Fig.5). Regolare la pressione dell'aria di alimentazione, indicata sul manometro di bassa pressione, ruotando la vite di regolazione del riduttore di pressione, mantenendo premuta la leva di avviamento.
- ① Non superare il limite massimo di 25 bar di pressione dell'aria di alimentazione (con avvitatore in funzione).

MONTAGGIO DEGLI ACCESSORI

Prima di cambiare un accessorio, accertarsi sempre che la linea di alimentazione pneumatica dell'avvitatore sia depressurizzata (assenza di pressione pneumatica), e solo dopo scollegare l'avvitatore e procedere alla sostituzione.

Utilizzare solo accessori adatti per il lavoro da svolgere (consultare il nostro catalogo accessori).

Utilizzare esclusivamente chiavi a bussola ad impulso con spline Paoli.

Non utilizzare bussole cromate o per uso manuale.

Non utilizzare adattatori di spline (riduzioni o moltipliche).

Controllare sempre che la vite di ritegno della chiave a bussola sia presente e fissata stabilmente.

Per installare una chiave a bussola, procedere come segue (vedi figura Fig.6):

- ① Fissare saldamente l'impugnatura dell'avvitatore con una morsa con ganasce morbide.
- ① Inserire la bussola (4) accoppiandola con la parte spline dell'albero portabussola (5).
- ① Posizionare la rondella autobloccante (3), con le scritte rivolte verso l'alto, nella sede dell'albero portabussola (5).
- ① Posizionare la molla a tazza (2), con lato superiore (UP) verso l'alto, orientando il taglio per l'antirotazione nella sede ricavata nella bussola (4).

GESTIONE DEI COMANDI

- ① Prestare attenzione alla tipologia di invertitore montata sull'avvitatore (versione 3-port o 2-port).
- ① Traslare l'invertitore (vedi figura Fig.1-I) e premere la leva di avviamento (vedi figura Fig.1-C). Vedere la figura Fig.4 per identificare il verso di rotazione dell'albero portabussola.
- ① Evitare gli avvii accidentali, prestando attenzione a non agire involontariamente sulla leva di avviamento (vedi figura Fig.1-C).

① Il sistema spline è progettato per un montaggio senza utilizzo di collante bloccafilletti (threadlocker). In caso si voglia utilizzare il collante per una sicurezza ulteriore, prestare attenzione, in fase di smontaggio, al riscaldamento della zona per non danneggiare i componenti.

① Montare la vite (1) utilizzando una chiave a bussola con esagono 22mm, serrare con chiave dinamometrica alla coppia di 70-90 Nm. Per bloccare la rotazione della bussola, utilizzare la chiave a settore cod. S.01.0300 inserendola nei fori laterali.

① È suggerito applicare a pennello della pasta TORQUE SEAL nella zona di serraggio della vite per verificare visivamente ogni eventuale allentamento della vite di ritegno (5). Dopo l'applicazione aspettare che la pasta TORQUE SEAL si solidifichi.

① Il montaggio è completo. Terminato il montaggio, verificare che la bussola spline (5) non abbia vibrazioni anomale e che l'accoppiamento corpo bussola-albero portabussola (4-5) sia solidale. Verificare inoltre periodicamente il serraggio della vite.

MANUTENZIONE

Prima di ogni manutenzione accertarsi sempre che la linea di alimentazione pneumatica dell'avvitatore sia depressurizzata (assenza di pressione pneumatica), e solo dopo scollegare l'avvitatore e procedere alla manutenzione.

- ① Usare solo lubrificanti raccomandati.
- ① Ogni 20-30 cicli è raccomandato riempire (con olio speciale per i motori degli avvitatori Paoli od olio molto fluido per utensili pneumatici) il serbatoio dell'olio, svitando (utilizzare una chiave esagonale a tubo da 14 mm) il blocco oliatore (*vedi figura Fig.1-L*) posto nella parte inferiore dell'avvitatore; quindi serrare di nuovo il blocco oliatore (*vedi figura Fig.2-A*). La capacità del serbatoio dell'olio è di ~ 8 cc. Queste operazioni consentono di mantenere l'utensile in efficienza e di prolungarne la vita.
- ① Regolazione dell'oliatore: per variare la regolazione è necessario svitare il controdado **1** con una chiave inglese ad esagono da 10 mm (*vedi figura Fig.2-A*) e procedere poi avvitando o svitando l'otturatore **2** con un cacciavite a taglio (*vedi figura Fig.2-A*) in modo da ottenere una portata minore o maggiore. Terminata la regolazione riavvitare il controdado **1** per bloccare il settaggio.
- ① Rispedire l'avvitatore alle strutture PAOLI almeno una volta all'anno per la revisione completa.

DEMOLIZIONE

Separare i componenti in base alla natura dei materiali di cui sono composti. Lo smaltimento dei componenti deve avvenire nel rispetto delle normative vigenti.

- ① Non eseguire interventi di manutenzione con attrezzi impropri, servirsi dell'allegato disegno esploso con lista dei ricambi.
- ① Indicare le parti più soggette ad usura, da smontare e controllare ad intervalli regolari, nonché l'eventuale lista di malfunzionamenti ed azioni di correzione.
- ① Usare solo ricambi originali e servirsi solo di organizzazioni di servizio autorizzate.
- ① Prima di ogni gara è fortemente raccomandato far funzionare l'avvitatore in senso orario ed antiorario (prestare attenzione all'aria di scarico che fuoriesce dall'avvitatore durante questa operazione - *vedi figura Fig.2-B*) introducendo olio speciale per i motori degli avvitatori Paoli (~5cc) od olio molto fluido per utensili pneumatici nell'ingresso dell'aria. Queste operazioni vanno eseguite in un ambiente idoneo, predisposto per l'aspirazione delle particelle nebulizzate. Usare opportuni dispositivi di protezione individuale.
- ① Se l'avvitatore viene lasciato inattivo per lunghi periodi, è opportuno introdurre olio (olio speciale per i motori degli avvitatori Paoli) nell'ingresso dell'aria (*vedi figura Fig.2-I*) e farlo funzionare per qualche secondo prima di riparlo. Le parti interne resteranno così lubrificate.

ATTENZIONE

Quando utilizzate utensili pneumatici rispettate sempre le norme di sicurezza previste nel vostro ambiente di lavoro, e le seguenti istruzioni, per ridurre il rischio di danni ambientali e personali.

- ▷ Portare occhiali e cuffie di protezione.
- ▷ In caso di necessità, portare la maschera protettiva e mettere i guanti.
- ▷ Indossare indumenti da lavoro indicati e scarpe di sicurezza adatte.
- ▷ Non utilizzare l'utensile in modo continuativo, prevedere periodicamente una pausa.

Per la sicurezza dell'operatore:

Mantenere l'area di lavoro ben pulita. L'area di lavoro o il banco in disordine possono causare danni personali.

Considerare le condizioni del luogo di lavoro. Assicurarsi di avere l'illuminazione adatta. Se i materiali lavorati producono scintille, non utilizzate gli utensili in presenza di liquidi, gas, o materiali infiammabili. Non utilizzate l'utensile in atmosfere potenzialmente esplosive (ATEX).

Mantenere gli estranei lontano. Non lasciare che persone estranee tocchino gli utensili. Tutti i visitatori devono essere tenuti lontano dall'area di lavoro.

Non sovraccaricare gli utensili. Questi svolgeranno meglio il lavoro ed in condizioni di sicurezza se alimentati con tubi adatti ed alla pressione indicata nel presente manuale.

Usare l'utensile adatto. Controllare lo stato di usura degli utensili di lavoro (bussole, ecc.), prima di ogni avviamento e sostituirli se danneggiati o usurati.

Usi impropri, è assolutamente vietato:

- ▷ Usare l'utensile per scopi ed utilizzi differenti da quello previsto dal presente manuale
- ▷ Rivolgere l'utensile o i gli accessori contro persone o animali
- ▷ Utilizzare l'utensile o i gli accessori come martello, leva o oggetto contundente

Indossare abiti appropriati. Non usare vestiti larghi o gioielli, che potrebbero impigliarsi in parti in movimento. Si raccomanda di indossare guanti protettivi, scarpe antinfortunistiche e antiscivolo quando si lavora in ambienti esterni. Con capelli lunghi usare l'apposita cuffia.

Usare protezioni personali. Usare regolarmente cuffie antirumore, occhiali protettivi a mascherina antiappannante, guanti da lavoro, mascherina a facciale filtrante e quanto necessario ad evitare il contatto con sostanze nocive e sottoprodotti di lavorazione.

Collegamento alla rete di alimentazione. Deve essere sempre effettuato nel rispetto delle norme di sicurezza locali avendo cura, nel caso dell'aria compressa, di evitare colpi di frusta (in caso di rottura del tubo), o scollegamenti accidentali, ed il pericolo di corto circuito per i collegamenti elettrici.

Rischi aria di scarico contenente lubrificante o residui. Evitare una lubrificazione eccessiva e l'inalazione dell'aria di scarico; l'area di lavoro deve essere ben ventilata ed eventualmente dotata di convogliatori per l'aria di scarico.

Verificare la conformità della rete di alimentazione ai requisiti di sicurezza ed alle prescrizioni contenute nel manuale istruzioni prima di effettuare il collegamento.

Collegare l'attrezzatura per l'aspirazione di polveri. Se sono previste attrezzature per la raccolta della polvere, assicurarsi che siano collegate agli utensili ed usate correttamente.

Usare correttamente il tubo di alimentazione. Non trascinare l'utensile collegato all'alimentazione tirandolo per il tubo. Mantenere il tubo lontano da fonti di calore e da oggetti taglienti.

Bloccare il pezzo da lavorare. Utilizzare dispositivi di bloccaggio per bloccare il pezzo. E' più sicuro che usare le mani ed in questo modo entrambe saranno libere per operare con l'utensile. Assicurarsi di avere in qualsiasi momento un punto di appoggio saldo e di mantenere sempre l'equilibrio.

Mantenere sempre una presa adeguata sull'impugnatura dell'utensile, eventualmente servendosi degli appositi organi ausiliari. Questo servirà per ridurre le vibrazioni trasmesse al corpo.



Non toccare accessori in lavoro. Non toccare parti e/o accessori dell'utensile in movimento o in lavoro.

Prestare attenzione. Fare sempre attenzione a ciò che si sta facendo. Procedere con cautela. Non continuare a lavorare quando si è stanchi.

Tenere gli utensili con cura. Mantenere gli utensili in buone condizioni e puliti per ottenere migliori risultati, in modo più sicuro. Non rimuovere mai protezioni e silenziatori dall'utensile. Seguire le istruzioni per la manutenzione e la sostituzione degli accessori.

Uso e montaggio degli accessori. Deve essere eseguito secondo le istruzioni contenute nel manuale di macchina. L'uso di accessori o di modalità di montaggio diverse da quelle consigliate possono causare lesioni personali.

Escludere l'alimentatore. Al termine di ogni seduta di lavoro, prima di eseguire operazioni di regolazione, manutenzione o sostituzione degli accessori come bussole, ecc. si consiglia di escludere il ramo di rete che alimenta l'utensile.

Rimuovere le chiavi di servizio. Prima di utilizzare l'utensile controllare sempre di avere rimosso le chiavi di servizio o di regolazione.

Controllare le parti danneggiate. All'atto della consegna, controllare che l'imballo sia integro e che non vi siano segni di urti o manomissioni.

LISTA DEI RISCHI RESIDUI

- ▷ Elementi mobili
- ▷ Elementi in rotazione
- ▷ Parti con spigoli
- ▷ Alta pressione
- ▷ Parti ad alta temperatura
- ▷ Rumorosità durante il funzionamento

CONFEZIONE

L'utensile viene consegnato dentro ad una confezione di cartone, protetto con materiale antivibrante.

Oltre all'avvitatore, dentro alla confezione,

Prima di usare l'utensile controllare attentamente l'efficienza e il perfetto funzionamento dei dispositivi di sicurezza e di qualsiasi altra parte. Controllare che le parti mobili non siano danneggiate, che il loro movimento non sia ostacolato, o qualsiasi altra condizione che potrebbe limitare il funzionamento dell'utensile. Un dispositivo di protezione, o un altro componente danneggiato deve essere sostituito o riparato da un Centro Assistenza autorizzato a meno che non sia indicato diversamente nel presente manuale.

L'utensile non emette radiazioni non ionizzanti.

IMPORTANTE. L'uso di accessori e parti di ricambio diversi da quelli consigliati nel presente manuale può costituire causa di lesioni personali.

Non modificare alcun elemento di macchina senza esplicita autorizzazione PAOLI, né rimuovere protezioni, dispositivi di sicurezza o di controllo del flusso d'aria in uscita (filtri, deflettori, ecc.).

Interrompere la lavorazione qualora dovessero verificarsi vibrazioni o rumorosità anomale, funzionamento irregolare dell'utensile, ecc.

Fare riparare l'utensile da personale qualificato. Questo utensile pneumatico è conforme alle vigenti norme di sicurezza. Le riparazioni devono essere effettuate da personale qualificato usando parti di ricambio originali, altrimenti potrebbero derivare gravi danni per l'operatore.

- ▷ Vibrazioni trasmesse al sistema mano-braccio
- ▷ Materiali o sostanze
- ▷ Scarsa visibilità
- ▷ Scarsa illuminazione
- ▷ Temperatura ambiente
- ▷ Attività ripetitiva + rumore + alta temperatura ambiente

troverete il manuale di uso e manutenzione, la dichiarazione di conformità, gli eventuali accessori e gli agenti lubrificanti indicati nel presente manuale di uso e manutenzione.

RISOLUZIONE DEI PROBLEMI

PROBLEMA	CAUSA	RIMEDIO
L'albero non gira	Leva di avviamento dell'utensile non premuto a fondo	Premere la leva di avviamento
	La pressione o portata della linea di alimentazione d'aria è nulla o insufficiente	Controllare la linea di alimentazione dell'aria.
	Temperatura troppo bassa	Operare in un ambiente con temperatura maggiore
	Guasto dell'utensile	Rivolgetevi ad un centro di assistenza autorizzato
	Posizione dell'invertitore di rotazione errata	Riposizionare l'invertitore di rotazione
Perdita di prestazioni	Leva di avviamento dell'utensile non premuta a fondo	Premere la leva di avviamento
	La pressione o portata della linea di alimentazione d'aria è nulla o insufficiente	Controllare la linea di alimentazione dell'aria.
	Mancanza di lubrificazione	Leggere le istruzioni e lubrificare l'utensile
	Filtro sporco	Pulire il filtro
	Posizione dell'invertitore di rotazione errata	Riposizionare l'invertitore di rotazione
	Guasto dell'utensile	Rivolgersi ad un centro di assistenza autorizzato
L'utensile vibra in modo anomalo	L'utensile non è ben appoggiato al dado	Appoggiare bene la bussola sul dado
	Gli accessori non sono connessi correttamente	Connettere correttamente gli accessori
	Gli accessori sono usurati	Sostituire gli accessori
	Usura dell'utensile	Rivolgetevi ad un centro di assistenza autorizzato
L'albero non si ferma nonostante la leva di avviamento non sia premuta	Leva di avviamento inceppata	Scollegare l'alimentazione

DICHIARAZIONE DI CONFORMITÀ CE

Singola macchina

Noi

DINO PAOLI S.R.L. - Via G. Dorso, 5 - 42124 Reggio Nell'Emilia (Re) - Italy

dichiariamo sotto nostra unica responsabilità che il prodotto:

Tipo di macchina

HURRICANE 2.0 SPLINE

Avvitatore pneumatico ad impulsi

DATI TECNICI

Vedi sezione Attachments

NUMERO DI MATRICOLA

Vedi quarta di copertina

a cui questa dichiarazione si riferisce, è conforme ai requisiti della Direttiva Macchine 2006/42/CE

Nome e indirizzo della persona autorizzata a costituire il fascicolo tecnico

Nome: **Dr. Federico Galloni**

Indirizzo: **DINO PAOLI S.R.L. - Via G. Dorso, 5 - 42124 Reggio Nell'Emilia (Re) - Italy**

Nome e posizione del dichiarante:

**Direttore Marketing e Commerciale
& Membro del Comitato Esecutivo**

Dr. Federico Galloni

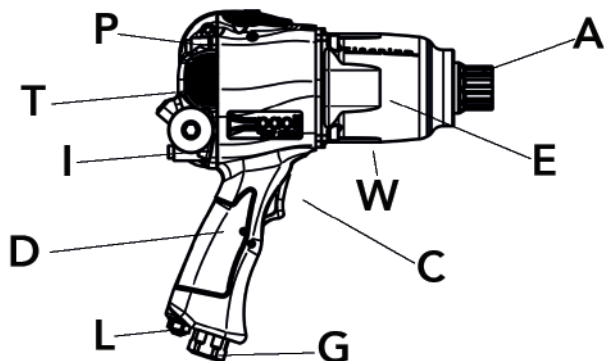

Reggio nell'Emilia (RE) - Italy - 6 Novembre 2022

CONDIZIONI DI GARANZIA LIMITATA DEL FABBRICANTE

Le condizioni di garanzia fornite dalla DINO PAOLI S.r.l. sono le seguenti:

- Il periodo previsto è di 12 mesi dalla data di acquisto e si limita a difetti di materiale o fabbricazione dimostrabili. La data di acquisto deve essere verificabile mediante documento di vendita. Nel caso si tratti di un avvitatore, sul documento deve essere riportato il numero di matricola dell'avvitatore stesso.
- DINO PAOLI s.r.l. non sarà responsabile, e non saranno accettate rivendicazioni, per eventuali danni derivanti da utilizzo difforme alle indicazioni fornite dal fabbricante.
- La garanzia non è valida se il prodotto è stato usato in modo difforme dalle indicazioni fornite dal fabbricante. La garanzia non è valida se il prodotto è stato riparato da personale non esplicitamente autorizzato da DINO PAOLI s.r.l.
- Gli interventi tecnici durante il periodo di garanzia non danno origine a prolungamenti o rinnovi della stessa; in particolare tali riparazioni o sostituzioni sono garantite per il periodo residuo della garanzia originale.
- La sostituzione completa del prodotto non è prevista, se non per un difetto palese, denunciato entro 8 giorni dal ricevimento dello stesso. Viceversa provvederemo a sostituire in garanzia, inclusa la manodopera, i componenti necessari per ripristinare il corretto funzionamento dello stesso.
- L'eventuale sostituzione di componenti in garanzia è una insindacabile decisione della DINO PAOLI s.r.l., previo ricevimento degli stessi. I componenti eventualmente sostituiti rimarranno di proprietà della DINO PAOLI s.r.l.
- Il prodotto può essere consegnato ad un centro autorizzato da DINO PAOLI s.r.l. che si prenderà cura del prodotto. La lista dei centri autorizzati è disponibile all'indirizzo email sales@paoli.net. In alternativa deve essere spedito a DINO PAOLI s.r.l., i costi di trasporto non sono a carico di DINO PAOLI s.r.l.

Fig. 1



W: Warning label

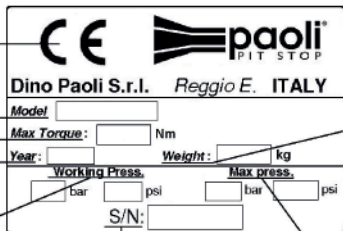
 Marchio certificazione europea
European Certification mark

 Modello
Model

 Coppia massima
Max torque

 Anno di produzione
Manufacturing year

 Pressione di lavoro
Working pressure



 T: identification
label

 Peso
Weight

 Numero di matricola
Serial number

 Pressione massima
Max pressure

	ITALIANO	ENGLISH	FRANÇAIS	DEUTSCH	ESPAÑOL
A	Attacco albero trazione Spline	Spline drive anvil	Type de broche spline	Antrieb spline	Tipo de conexión spline
C	Leva di avviamento	Trigger	Levier de Commande	Starthebel	Palanca de arranque
D	Corpo impugnatura	Gun body	Poignée	Handgriff	Empuñadura
E	Coperchio masse battenti	Hammer case	Couvercle Masses Battantes	Schlagwerkdeckel	Tapa Mecanismo de Impacto
G	Attacco aria compressa	Air inlet	Entrée Air	Lufteinlass	Entrada Aire
I	Invertitore di rotazione	Rotation reverse shaft	Boulon de commande	Steuerbolzen	Eje de rotación inversa
L	Oliatore	Oiler	Graisseur	Öler	Engrasador
P	Coperchio motore	Motor cover	Couvercle Moteur	Motordeckel	Tapa Motor
T	Etichetta di identificazione	Identification label	Plaque Signalétique	Kennschild	Placa de Identificación
W	Etichetta di avvertenze	Warning label	Adhésif de Warning	Warning-Aufkleber	Adhesivo de Warning

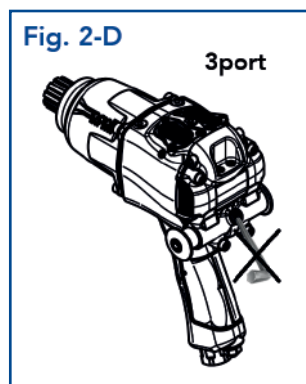
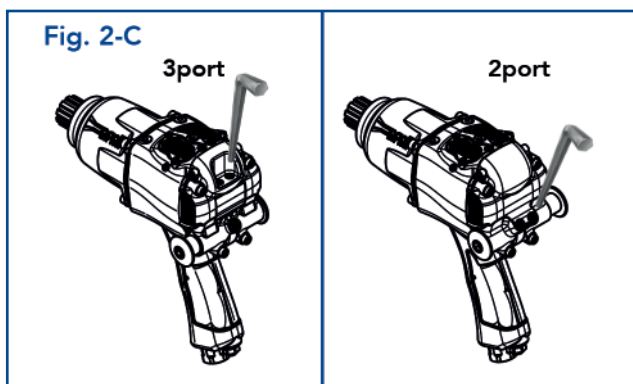
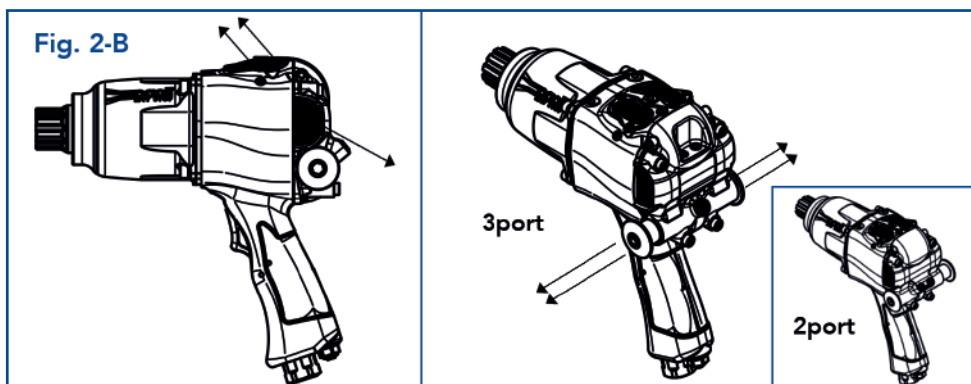
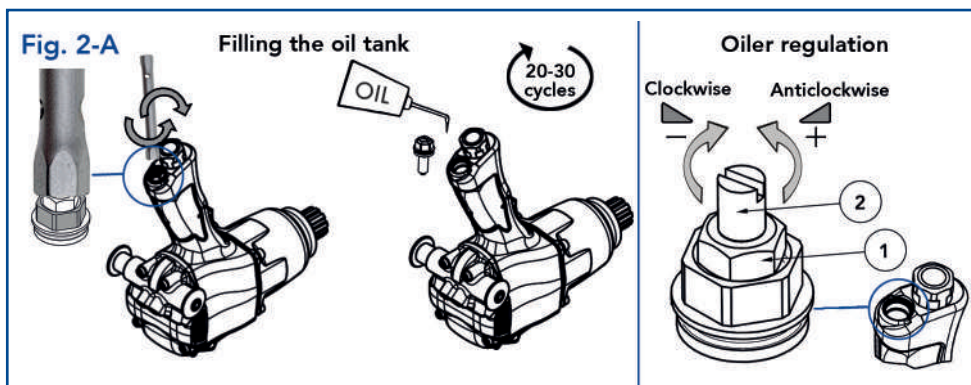


Fig. 2-E

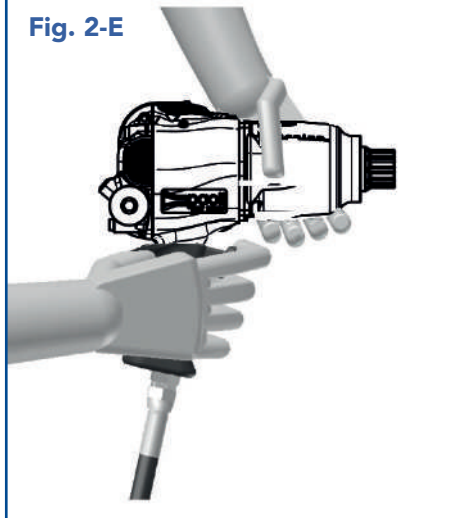


Fig. 2-H

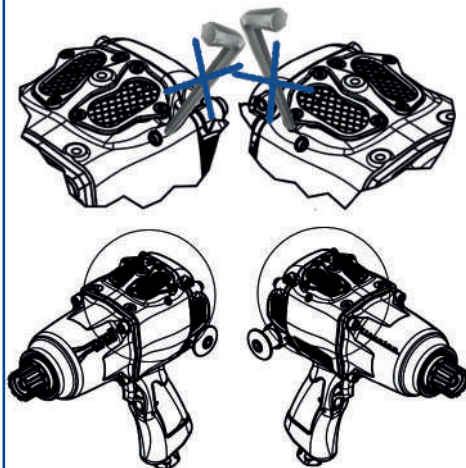


Fig. 2-F

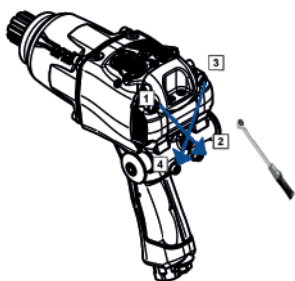


Fig. 2-I

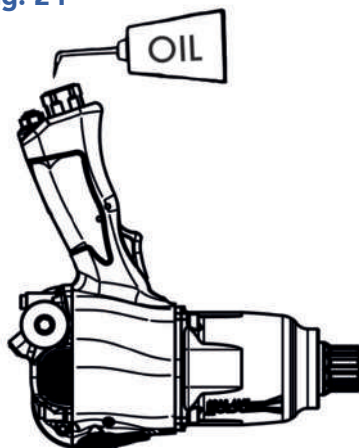


Fig. 2-G

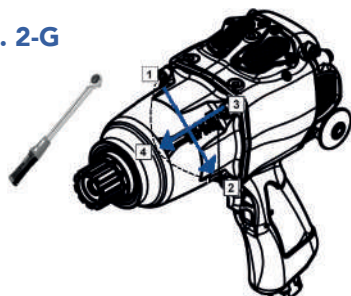
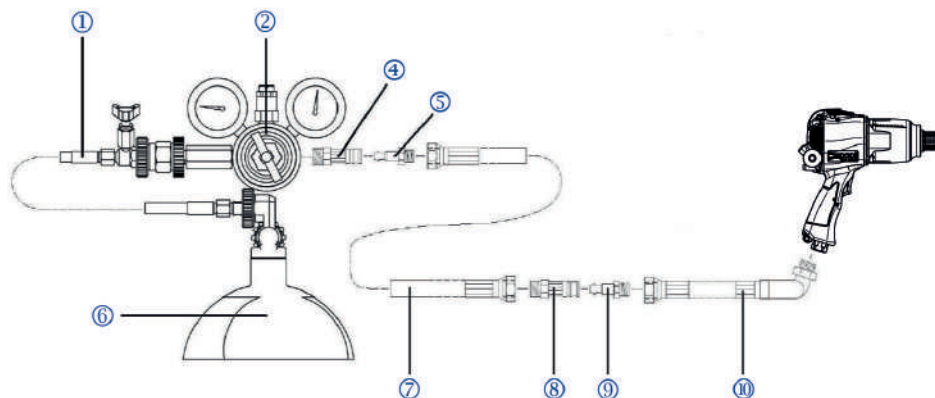
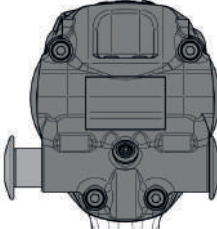


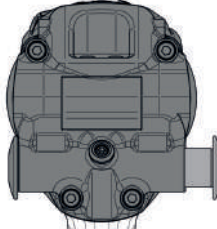




Fig. 3

AIR SUPPLY SYSTEM DIAGRAM



NUMBER	DESCRIZIONE	DESCRIPTION
1	Frusta di travaso	Transfer hose
2	Regolatore di pressione	Air pressure regulator
4	Valvola	Female quick disconnect coupling
5	Innesto	Male quick disconnect coupling
6	Bombola aria	Air bottle
7	Tubo	Hose
8	Valvola	Female quick disconnect coupling
9	Innesto	Male quick disconnect coupling
10	Tubo frusta	Whip hose

Fig. 4	3-PORT GUN SELECTOR PLATE	2-PORT GUN SELECTOR PLATE
	 CLOCKWISE	 ANTICLOCKWISE
	 ANTICLOCKWISE	 CLOCKWISE

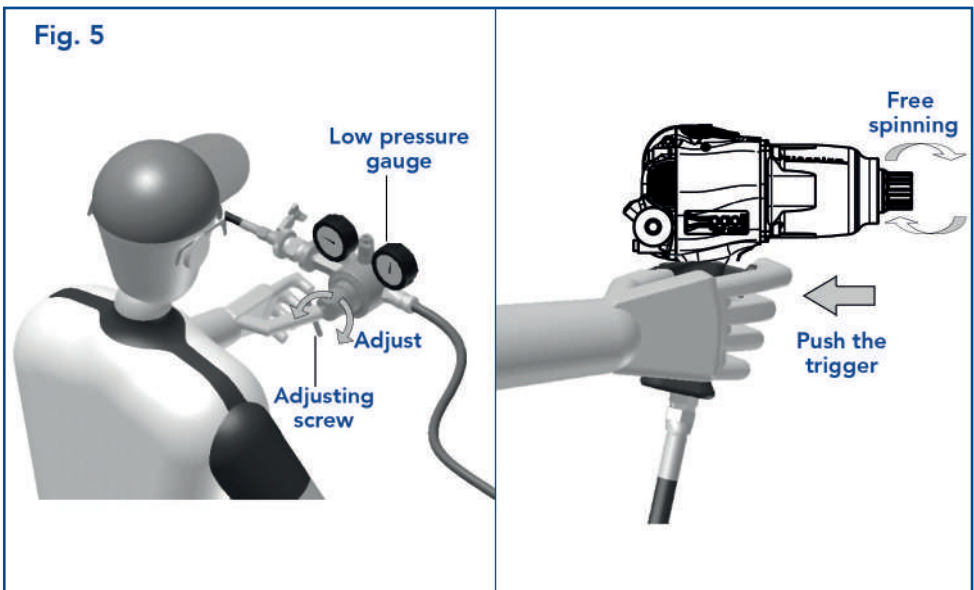
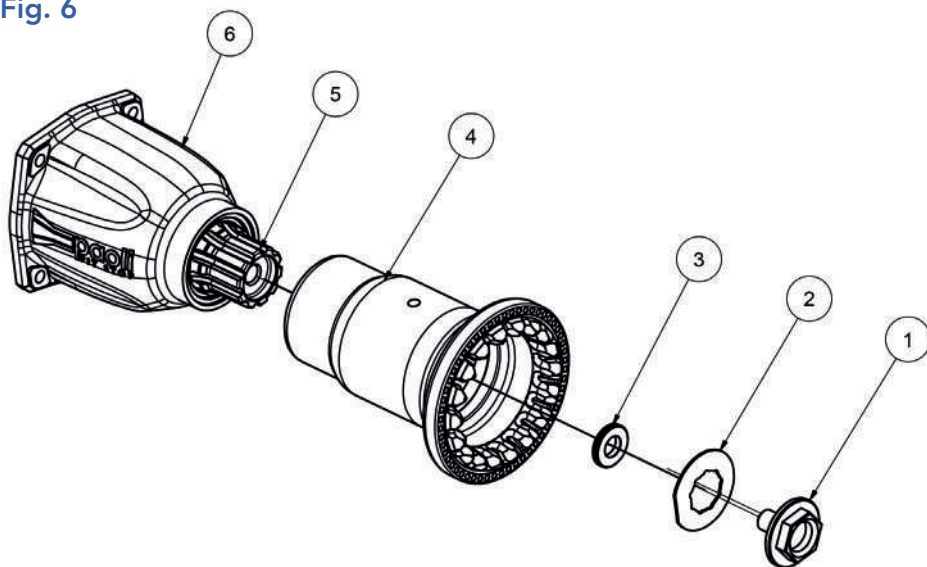
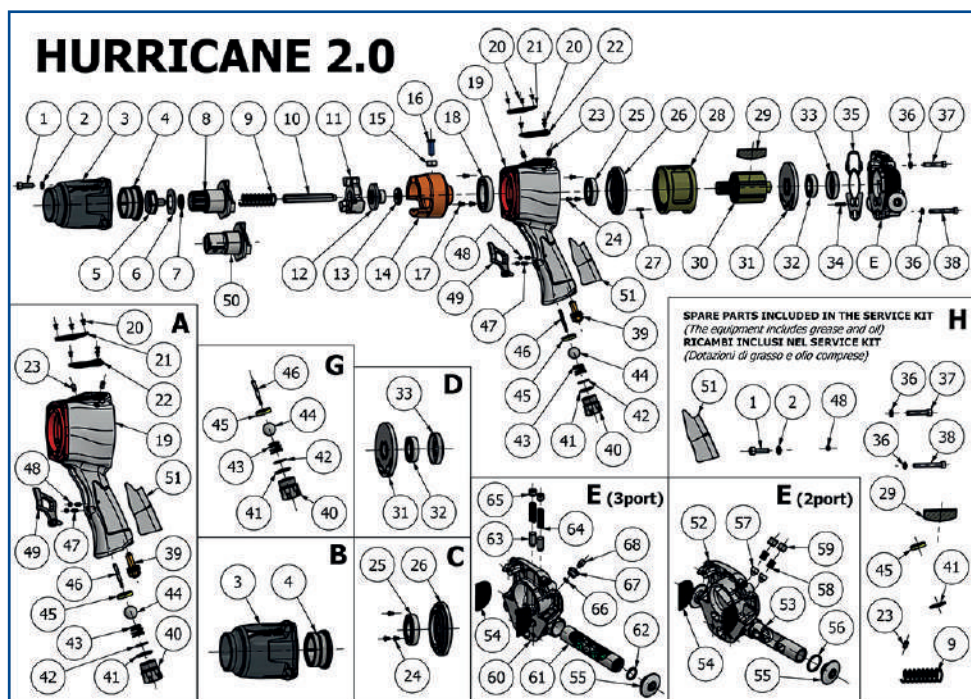


Fig. 6



SOCKET - ANVIL CONNECTION SYSTEM

NUMBER	DESCRIZIONE	DESCRIPTION
1	Vite Ritegno Assiale per Albero Spline	Axial Retaining Screw for Spline Anvil
2	Molla a Tazza	Disc Spring
3	Rondella Autobloccante	Self-locking Washer
4	Corpo Bussola Spline	Spline Socket Body
5	Albero Portabussola Spline	Spline Drive Shaft
6	Coperchio Masse Battenti Completo	Whole Hammer Case



SERVICE MAINTENANCE SUGGESTION

NUMBER	DESCRIZIONE	DESCRIPTION	CYCLES
3	Coperchio Masse Battenti	Clutch cover	1500
4	Cuscinetto combinato	Combined bearing	250
8	Albero portabussola spline	Spline drive shaft	750*
11	Innesto	Clutch plate	250*
14	Volano	Clutch housing	750*
30	Rotore	Rotor	500*
29	Paletta Motore	Motor Vane	250

* Unless 250 cycles NDT finds cracks.

NUMBER	CODE	DESCRIZIONE	DESCRIPTION	N.
01	D.09.01.0004	Vite TCEI M6X20	Socket head cap screw, clutch cover	4
02	D.09.06.0023	Rondella nord-lock NL6 con delta protekt	Lock washer	4
03	D.01.03.0085	Coperchio m.B. 5000	Clutch cover	1
04	D.01.15.0008	Cuscinetto combinato RAX435	Combined bearing	1
05	D.01.62.0013	Vite ritegno assiale m10x1 spline bussola	Axial retention screw	1
06	D.09.29.0001	Molla a tazza d40 d20,4 sp1 DIN2093-C rettif	Spring	1
07	D.09.06.0088	Rondella nord-lock NLX10SP con delta pr...	Lock washer	1
08	D.01.04.0188	Albero p.Bussola spline	Spline drive shaft	1
09	D.01.12.0025	Molla	Clutch spring	1
10	D.01.05.0020	Albero scan 3000 SS NX gen	Clutch shaft	1
11	D.01.06.0068	Innesto 3000 SS NX gen	Clutch plate	1
12	D.01.07.0023	Camma	Cam, clutch	1
13	D.01.09.0017	Sede alb scan hurricane 2.0	Bushing, clutch housing	1
14	D.01.08.0078	Volano hurricane 2.0	Clutch housing	1
15	D.01.10.0003	Rullo volano 176-191-192-196	Roller	1
16	D.01.11.0015	Perno per rullo volano	Pin, roller	1
17	D.09.01.0190	Vite tc torx m3x6	Hexalobular socket flat head screw	3
18	D.01.15.0003	Cuscinetto a sfere 16006	Ball bearing	1
19	L.01.0145	Impugnatura lavorata	Gun body	1
20	D.09.01.0133	Vite tsp torx M3X6	Socket countersunk head screw	6
21	D.01.25.0029	Filtro aria dx hurricane 2.0	Air filter (r)	1
22	D.01.25.0028	Filtro aria sx hurricane 2.0	Air filter (l)	1
23	D.09.01.0035	Vite stei M5X10	Grub screw	2
24	D.09.01.0132	Vite tc torx M3X5	Hexalobular socket flat head screw	3
25	D.01.15.0018	Cuscinetto a sfere 16004	Ball bearing	1
26	L.08.0123	Flangia motore anteriore	Front end plate	1
27	D.09.12.0043	Rullo 3x9,8 a testa piana	Roller	1
28	D.01.18.0071	Cilindro hurricane LH/RH	Main motor housing (LH/RH)	1
29	D.01.19.0054	Paletta	Vane	7
30	D.01.30.0107	Rotore hurricane 2.0	Rotor	1
31	L.08.0122	Flangia motore posteriore	Rear end plate	1
32	D.01.15.0019	Cuscinetto a sfere 16003	Ball bearing	1
33	D.01.62.0015	Ghiera cuscinetto	Bearing locking nut	1
34	D.09.12.0010	Rullo 3x15,8 a testa tonda	Stop, pin motor	1
35	D.01.17.0111	Guarnizione motore triplostrato	Three-layer rear gasket	1
36	D.09.06.0022	Rondella nord-lock NL5 con delta protekt	Lock washer	4
37	D.09.01.0057	Vite TCEI M5X30	Socket head cap screw	2
38	D.09.01.0058	Vite TCEI M5X40	Socket head cap screw	2
39	B.23.0156	Kit oliatore 6000-hurricane	Adjustable oiler kit for DP6000 & hurric...	1
40	D.01.33.0057	Corpo ingresso aria	Reducer, air inlet	1
41	D.09.02.0060	OR NBR	O-ring	1
42	D.01.25.0005	Filtro aria d.18,0	Air filter	1

NUMBER	CODE	DESCRIZIONE	DESCRIPTION	N.
43	D.01.12.0060	Molla valvola 5000	Valve spring	1
44	D.01.22.0016	Sfera acc. CR 17 mm	17mm steel ball	1
45	D.09.02.0190	Guarniz. Valv. Sintek	Valve seat	1
46	D.01.31.0041	Perno valvola	Valve pin	1
47	D.09.03.0057	Spina cilind. Rett. 4,0x18	Dowel pin	2
48	D.09.01.0109	Vite stei M5X5	Grub screw	2
49	D.01.21.0028	Leva avviamento	Trigger	1
50	D.01.04.0190	Albero p.Bussola	1" Square drive shaft	1
51	T.02.0030	Etichetta adesiva impugnatura	Handle sticker	1
52	D.01.02.0196	Coperchio motore HURRICANE 2p	Motor cover, rear - 2p	1
53	D.01.14.0069	Invertitore HURRICANE 2/port RH	2 Port welded spool - HURRICANE RH	1
53	D.01.14.0070	Invertitore HURRICANE 2/port UH	2 Port welded spool - HURRICANE UH	1
53	D.01.14.0068	Invertitore HURRICANE 2/port LH	2 Port welded spool - HURRICANE LH	1
54	D.01.25.0020	Filtro aria monster	Air filter	2
55	B.31.0010	Corpo fast reverse system paoli - blu	Fast reverse system dp 3000 body - blue	2
55	B.31.0009	Corpo fast reverse system paoli - rosso	Fast reverse system dp 3000 body - red	2
55	B.31.0013	Corpo fast reverse system paoli - nero	Fast reverse system dp 3000 body - black	2
56	D.09.02.0060	OR NBR	O-ring	2
57	D.01.31.0069	Perno invertitore	Pin, rotation reverser	2
58	D.01.12.0080	Molla inv. Hurricane 2p	Spring	2
59	D.01.62.0003	Grano spec M10 hurr 2p	Special screw	2
60	D.01.02.0195	Coperchio motore HURRICANE 3p	Motor cover, rear - 3p	1
61	D.01.14.0057	Invertitore hurricane 3/port LH	3 Port welded spool - hurricane LH	1
61	D.01.14.0058	Invertitore hurricane 3/port RH	3 Port welded spool - hurricane RH	1
61	D.01.14.0065	Invertitore hurricane 3/port UH	3 Port welded spool - hurricane UH	1
62	D.09.02.0097	OR NBR 12x2	O-ring bushing rotation reverser shaft	2
63	D.01.31.0037	Perno invertitore	Pin, rotation reverser	2
64	D.01.12.0052	Molla inv. Rigida	Spring	2
65	D.09.01.0011	Vite stei M8X8	Grub screw	2
66	D.01.35.0052	Boccola valvola spool HURRICANE	Bushing	1
67	D.01.13.0080	Boccola coperchio motore	Bushing	1
68	D.09.01.0134	Vite STEI M6X10	Grub screw	1
A	D.01.01.0255	Impugnatura completa vern. Grigio hurri...	Whole gun body-grey	1
B	D.01.37.0072	Coperchio masse battenti completo - er...	Whole hammer case with bearing - ergal	1
C	D.01.16.0090	Flangia motore anteriore completa	Front motor housing complete	1
D	D.01.16.0089	Flangia motore posteriore completa	Rear motor housing complete	1
E	D.01.49.0082	Coperchio mot. Compl. HURRICANE RH 3p	Whole motor cover, rear - RH 3p	1
E	D.01.49.0083	Coperchio mot. Compl. HURRICANE UH 3p	Whole motor cover, rear - UH 3p	1
E	D.01.49.0086	Coperchio mot. Compl. HURRICANE UH 2p	Whole motor cover, rear - UH 2p	1
E	D.01.49.0084	Coperchio mot. Compl. HURRICANE LH 2p	Whole motor cover, rear - LH 2p	1
E	D.01.49.0085	Coperchio mot. Compl. HURRICANE RH 2p	Whole motor cover, rear - RH 2p	1
E	D.01.49.0081	Coperchio mot. Compl. HURRICANE LH 3p	Whole motor cover, rear - LH 3p	1
G	B.23.0242	Kit ingresso aria HURRICANE 2.0	Air inlet kit	1
H	B.23.0232	Kit assistenza HURRICANE 2.0	Service kit HURRICANE 2.0	1

TABLE SPECIFICATIONS

1	Spline	4	33 m/s ² (K=1,6 m/s ²)	6	128,4-130,2 dB(A) (K _{WA} =3dB)
2	3/8" BSP	5	116,2-118,1 dB(A) (K _{pA} =3dB)	7	Molykote BR2 Plus
3	13 mm (1/2")				

DATI TECNICI

- | | |
|---|---|
| 1 Attacco albero trazione | 5 Pressione sonora - avvitamento/svitamento (ISO 15744) |
| 2 Ingresso aria | 6 Potenza sonora - avvitamento/svitamento (ISO 15744) |
| 3 Diametro interno tubo | 7 Lubrificazione masse battenti: Grasso |
| 4 Vibrazioni - triassiale (ISO 28927-2) | |

TECHNICAL DATA

- | | |
|--|---|
| 1 Drive anvil | 5 Sound pressure level tightening/loosening (ISO 15744) |
| 2 Air inlet | 6 Sound power level - screwing/unscrewing (ISO 15744) |
| 3 Inner hose diameter | 7 Hammer mechanism lubrication: Grease |
| 4 Vibration level - triaxial (ISO 28927-2) | |

FICHE TECHNIQUE

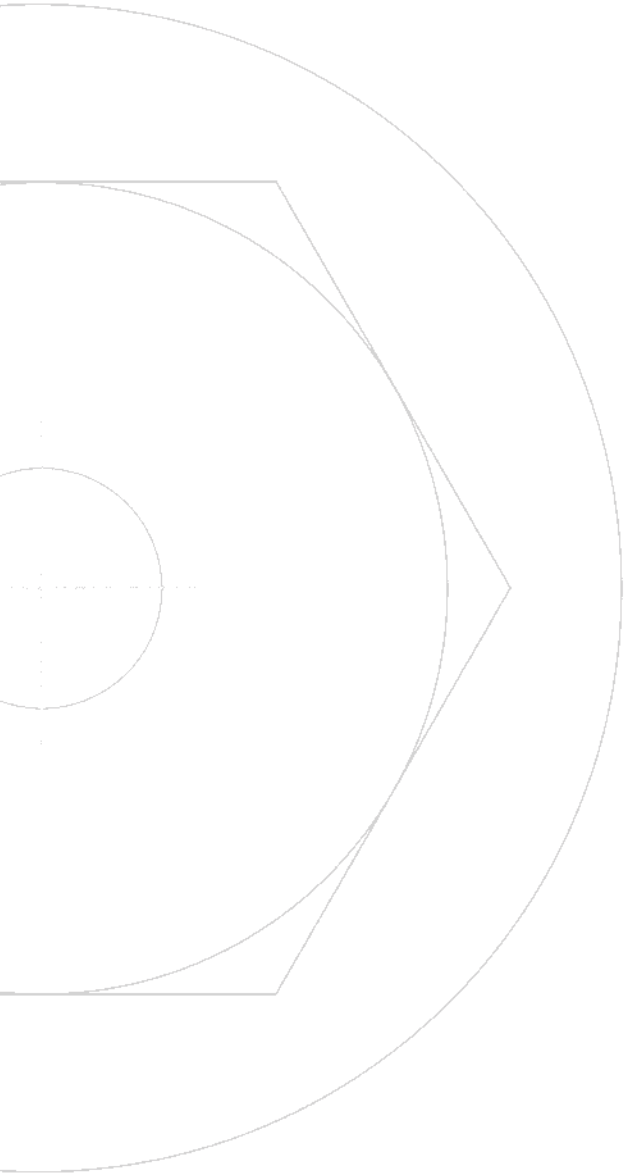
- | | |
|--|--|
| 1 Type de broche | 5 Pression acoustique - vissage/dévisage (ISO 15744) |
| 2 Entrée d'air | 6 Puissance niveau sonore - vissage/dévisage (ISO 15744) |
| 3 Diamètre intérieur du tuyau de l'air | 7 Lubrification du marteau: Graisse |
| 4 Niveau de vibration - triaxial (ISO 28927-2) | |

TECHNISCHE DATEN

- | | |
|--|---|
| 1 Antrieb | 5 Schalldruck - Verschraubung/Ausschraubung (ISO 15744) |
| 2 Anschlußgewinde | 6 Schalleistungspegel - Verschraubung/Ausschraubung (ISO 15744) |
| 3 Schlauch I.W. | 7 Schmierung der Hämmer: Fetten |
| 4 Vibration - dreiachsigen (ISO 28927-2) | |

DATOS TÉCNICOS

- | | |
|--|--|
| 1 Tipo de conexión | 5 Presión de sonido - roscar/desenroscar (ISO 15744) |
| 2 Conexión aire | 6 Potencia acústica - roscar/desenroscar (ISO 15744) |
| 3 Diámetro interior tubo alimentación | 7 Lubricación de martillos: Grasa |
| 4 Vibraciones - triaxial (ISO 28927-2) | |



DINO PAOLI s.r.l.
Via G. Dorso, 5 - 42124 Reggio nell'Emilia (RE) - Italy
Phone +39 0522 364 511 - Fax +39 0522 304 864
info@paoli.net - www.paoli.net