

E-SHUTTLE

MECHATRONIC
FAST SHUTTLE



The E-Shuttle is the first system which inverts the shuttle position from tightening to loosening automatically.

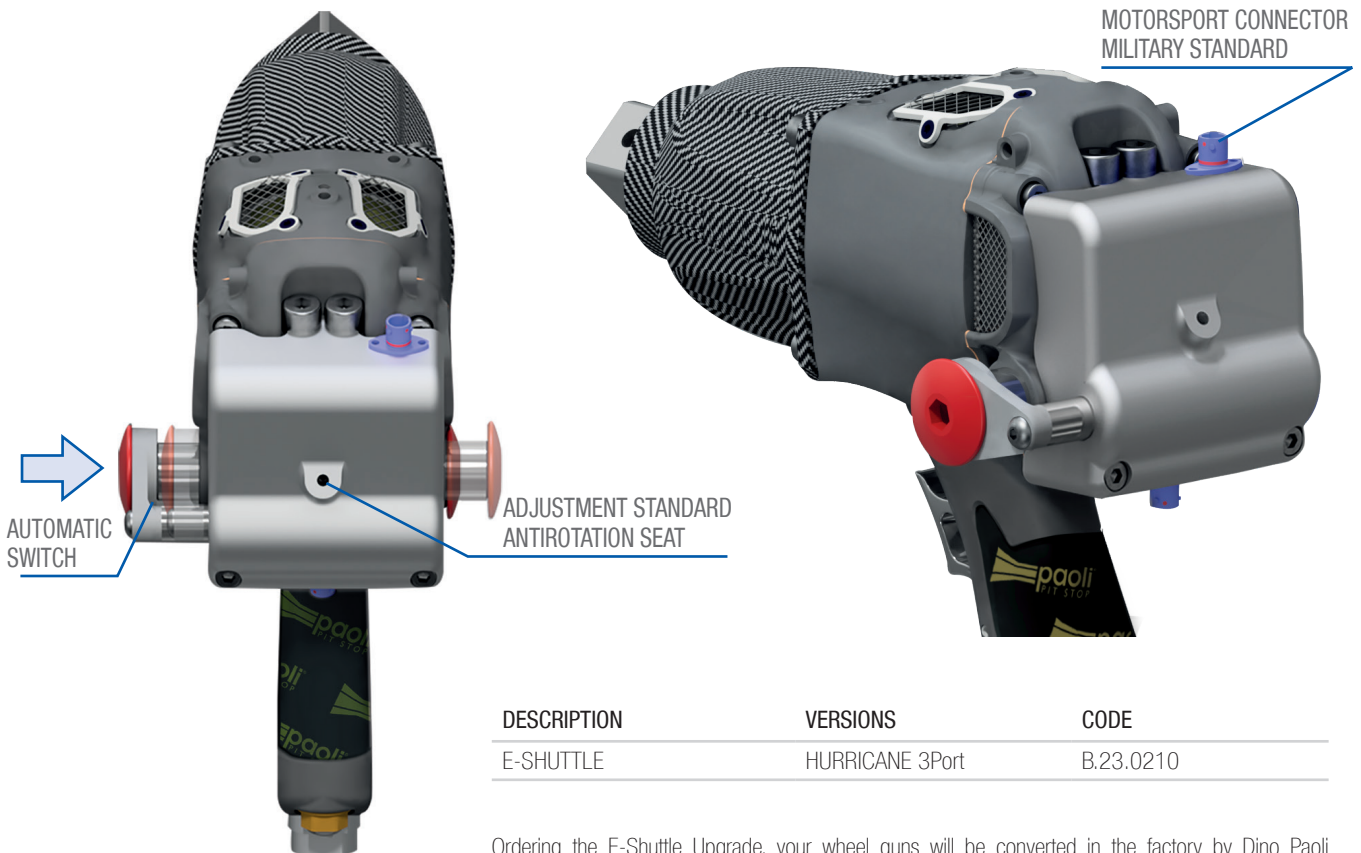
It is activated by an electronic lever with integrated led position.

The system is based on a latest generation electric actuator that guarantees a reversal in 15 hundredths of a second and allows to switch from loosening to tightening and reverse just by pushing a lever.

It is controlled by a leverage that can be placed by the user in a totally customized position to follow the desired ergonomics.

The entire system is controlled by an electronic circuit housed in the back cover which, thanks to a double independent circuit supply system, guarantees the success of the pit stop in any condition.

The E-Shuttle is powered by a voltage of 24 volts and 2 ampères but it is available to be connectable to any voltage requirement.



DESCRIPTION	VERSIONS	CODE
E-SHUTTLE	HURRICANE 3Port	B.23.0210

Ordering the E-Shuttle Upgrade, your wheel guns will be converted in the factory by Dino Paoli technicians.

The system is supplied as a stand alone add-on and can therefore be combined with the major Paoli wheel guns: Hurricane and DP 6000.



More about
E-SHUTTLE



WWW.PAOLI.NET | SALES@PAOLI.NET | +39.0522.364511