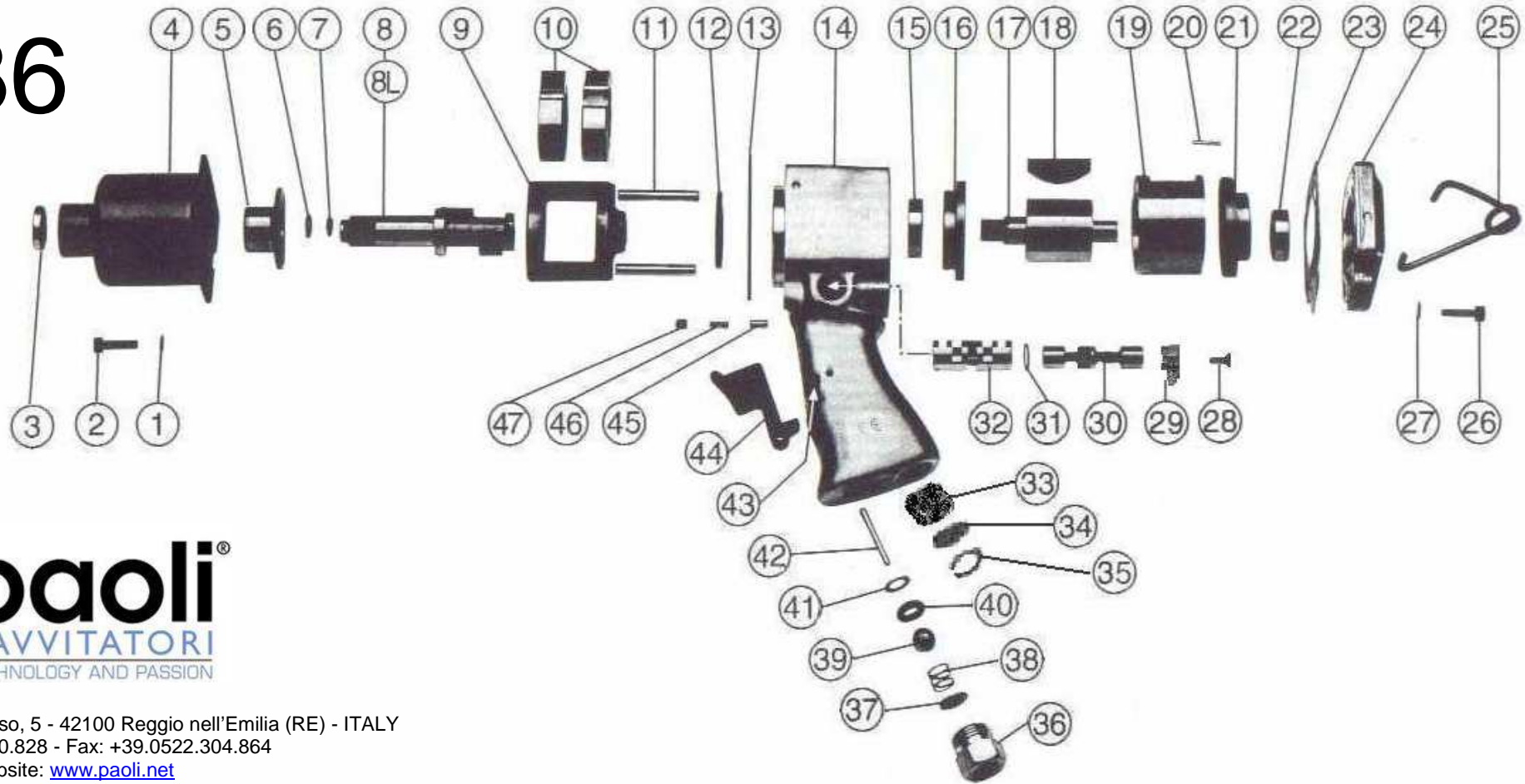


DP 36 RI



Dino Paoli s.r.l. - Via G. Dorso, 5 - 42100 Reggio nell'Emilia (RE) - ITALY
 Tel.: +39.0522.364.511 / 300.828 - Fax: +39.0522.304.864
 E-mail: info@paoli.net - Website: www.paoli.net

- | | | | | | | | |
|----|------------------------------------|----|---------------------------|----|--------------------------------|----|--|
| 1 | Hammer Case Lock Washer | 14 | Motor Housing | 28 | Regulator Lever Screw | 42 | Valve Pin |
| 2 | Hammer Case Cap Screw | 15 | Front Rotor Bearing | 29 | Regulator Lever | 43 | Trigger Pin |
| 3 | Hammer Case Oil Seal | 16 | Front End Plate | 30 | Rotation Reverse Shaft | 44 | Trigger |
| 4 | Hammer Case | 17 | Rotor | 31 | Rotation Reverse Shaft Seal | 45 | Rotation Reverser Pin |
| 5 | Hammer Case Bushing | 18 | Vane | 32 | Rotation Reverse Shaft Bushing | 46 | Rotation Reverser Spring |
| 6 | ½" Socket Retaining Ring | 19 | Cylinder | 33 | Muffler Foam | 47 | Rotation Reverser Grub Screw |
| 7 | ½" Socket Retainer O-ring | 20 | Cylinder Dowel | 34 | Silencer Air Filter | A | Whole Motor Housing +Reg. (14;28+32;36+47) |
| 8 | Standard Anvil Shank (½"sq. drive) | 21 | Rear End Plate | 35 | Anchor Pin Circlip | B | Whole Hammer Case (3;4;5) |
| 8L | Extended Anvil Shank (½"sq. drive) | 22 | Rear Rotor Bearing | 36 | Air Inlet Reducer | C | Front End Plate + Bearing (15;16) |
| 9 | Hammer Frame | 23 | Housing Cover Gasket | 37 | Air Filter | D | Rear End Plate + Bearing (21;22) |
| 10 | Hammer | 24 | Housing Cover | 38 | Valve Spring | E | Anvil Shank +Ring +O-ring (6;7;8/8L) |
| 11 | Hammer Pin | 25 | Hanger | 39 | Stainless Ball | | |
| 12 | Hammer Frame Rear Washer | 26 | Housing Cover Screw | 40 | Valve Seat | | |
| 13 | Hammer Case Gasket | 27 | Housing Cover Lock Washer | 41 | Valve Seat Support | | |