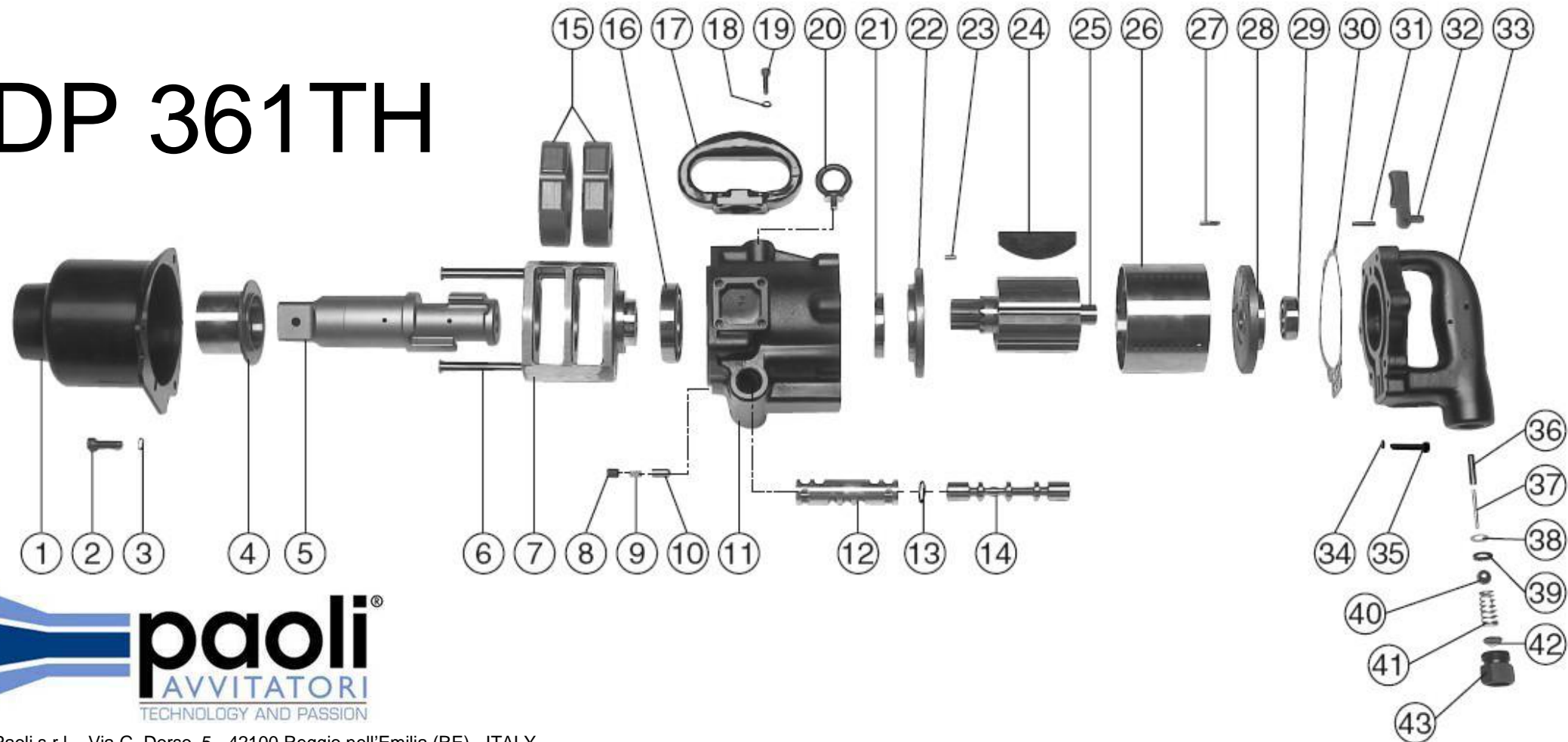


DP 361TH



Dino Paoli s.r.l. - Via G. Dorso, 5 - 42100 Reggio nell'Emilia (RE) - ITALY
 Tel.: +39.0522.364.511 / 300.828 - Fax: +39.0522.304.864
 E-mail: info@dinopaoli.com - Website: www.dinopaoli.com

- | | | | | | | | |
|----|--------------------------------|----|------------------------|----|-----------------------------------|----|---|
| 1 | Hammer Case | 14 | Rotation Reverse Shaft | 27 | Rear Cylinder Dowel | 40 | Stainless Ball |
| 2 | Hammer Case Cap Screw | 15 | Hammer | 28 | Rear End Plate | 41 | Valve Spring |
| 3 | Hammer Case Lock Washer | 16 | Hammer Frame Bearing | 29 | Rear Rotor Bearing | 42 | Air Filter |
| 4 | Hammer Case Bushing | 17 | Handle | 30 | Inside Trigger Handle Gasket | 43 | Air Inlet Reducer |
| 5 | Anvil Shank (1"1/2 sq. drive) | 18 | Handle Washer | 31 | Trigger Pin | A | Whole Motor Housing (8+14) |
| 6 | Hammer Pin | 19 | Handle Screw | 32 | Trigger | B | Whole Inside Trigger Handle (31+33;36+43) |
| 7 | Hammer Frame | 20 | Eyebolt | 33 | Inside Trigger Handle | C | Whole Hammer Case (1;4) |
| 8 | Rotation Reverser Grub Screw | 21 | Front Rotor Bearing | 34 | Inside Trigger Handle Lock Washer | D | Front End Plate + Bearing (21;22) |
| 9 | Rotation Reverser Spring | 22 | Front End Plate | 35 | Inside Trigger Handle Screw | E | Rear End Plate + Bearing (28;29) |
| 10 | Rotation Reverser Pin | 23 | Front Cylinder Dowel | 36 | Valve Pin Bushing | | |
| 11 | Motor Housing | 24 | Vane | 37 | Valve Pin | | |
| 12 | Rotation Reverse Shaft Bushing | 25 | Rotor | 38 | Valve Seat Support | | |
| 13 | Rotation Reverse Shaft Seal | 26 | Cylinder | 39 | Valve Seat | | |