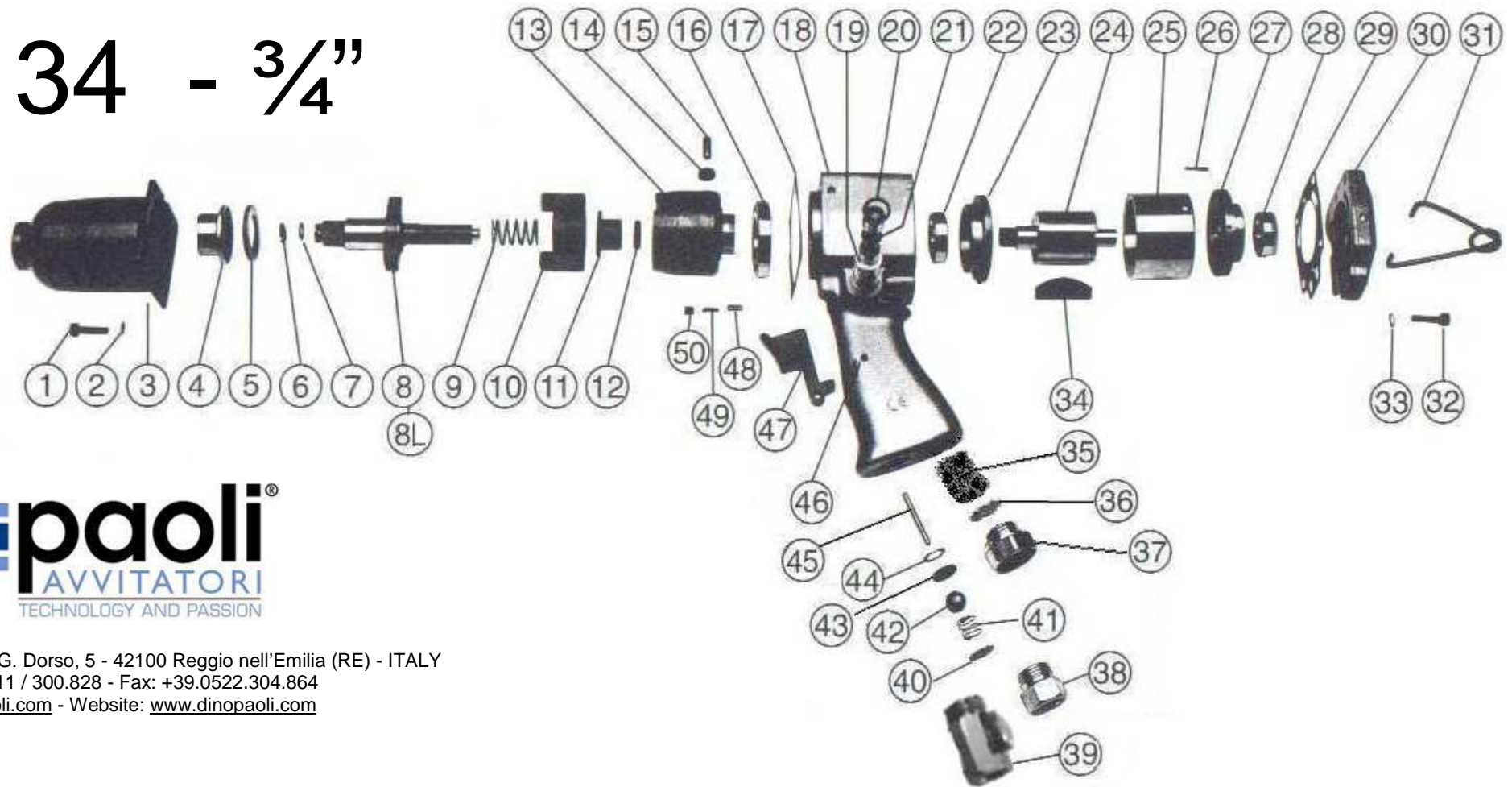


# DP 34 - 3/4"



Dino Paoli s.r.l. - Via G. Dorso, 5 - 42100 Reggio nell'Emilia (RE) - ITALY  
 Tel.: +39.0522.364.511 / 300.828 - Fax: +39.0522.304.864  
 E-mail: [info@dinopaoli.com](mailto:info@dinopaoli.com) - Website: [www.dinopaoli.com](http://www.dinopaoli.com)

1	Hammer Case Cap Screw	15	Pin Roller	30	Housing Cover	45	Valve Pin
2	Hammer Case Lock Washer	16	Clutch Housing Bearing	31	Hanger	46	Trigger Pin
3	Hammer Case	17	Hammer Case Basket	32	Housing Cover Screw	47	Trigger
4	Combined Bearing	18	Motor Housing	33	Housing Cover Lock Washer	48	Rotation Reverser Pin
5	Thrust Plate	19	Rotation Reverse Shaft Bushing	34	Vane	49	Rotation Reverser Spring
6	3/4" Socket Retaining Ring	20	Rotation Reverse Shaft Seal	35	Muffler Foam	50	Rotation Reverser Grub Screw
7	3/4" Socket Retainer O-ring	21	Rotation Reverse Shaft	36	Silencer Air Filter	A	Whole Motor Housing (18÷21;38;40÷50)
8	Standard Anvil Shank (3/4"sq. drive)	22	Front Rotor Bearing	37	Silencer	B	Whole Motor Housing + Reg. (18÷21;39÷50)
8L	Extended Anvil Shank (3/4"sq. drive)	23	Front End Plate	38	Air Inlet Reducer	C	Whole Hammer Case (3;4)
9	Clutch Spring	24	Rotor	39	Air Inlet Reducer with Regulator	D	Front End Plate + Bearing (22;23)
10	Clutch Plate	25	Cylinder	40	Air Filter	E	Rear End Plate + Bearing (27;28)
11	Clutch Cam	26	Cylinder Dowel	41	Valve Spring	F	Anvil Shank +Ring +O-ring (6;7;8/8L)
12	Clutch Housing Bushing	27	Rear End Plate	42	Stainless Ball		
13	Clutch Housing	28	Rear Rotor Bearing	43	Valve Seat		
14	Roller	29	Housing Cover Gasket	44	Valve Seat Support		