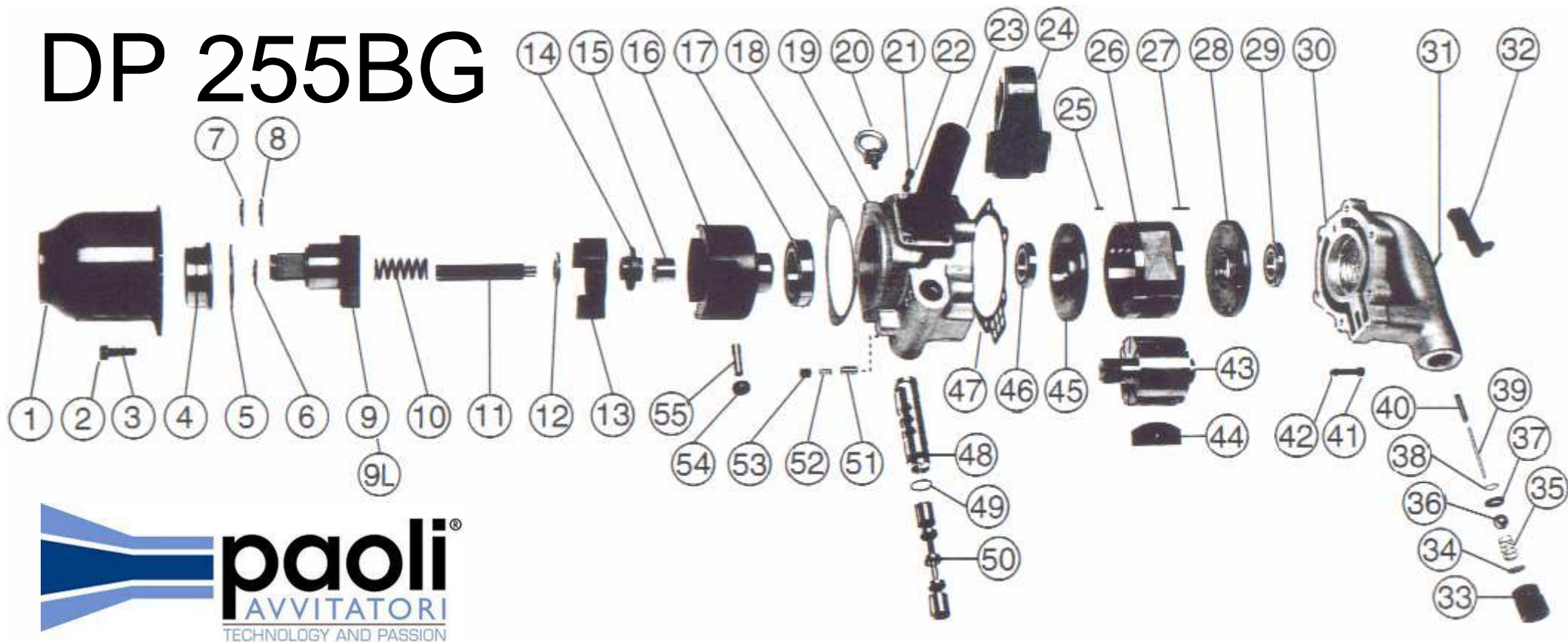


# DP 255BG



Dino Paoli s.r.l. - Via G. Dorso, 5 - 42100 Reggio nell'Emilia (RE) - ITALY  
 Tel.: +39.0522.364.511 / 300.828 - Fax: +39.0522.304.864  
 E-mail: [info@dinopaoli.com](mailto:info@dinopaoli.com) - Website: [www.dinopaoli.com](http://www.dinopaoli.com)

- |  |                           |                                      |  |
|--|---------------------------|--------------------------------------|--|
| 1 Hammer Case                          | 16 Clutch Housing         | 32 Trigger                           | 78 Rotation Reverse Shaft Bushing      |
| 2 Hammer Case Cap Screw                | 17 Clutch Housing Bearing | 33 Air Inlet Reducer                 | 49 Rotation Reverse Shaft Seal         |
| 3 Hammer Case Lock Washer              | 18 Hammer Case Gasket     | 34 Air Filter                        | 50 Rotation Reverse Shaft              |
| 4 Combined Bearing                     | 19 Motor Housing          | 35 Valve Spring                      | 51 Rotation Reverser Pin               |
| 5 Thrust Plate                         | 20 Eyebolt                | 36 Stainless Ball                    | 52 Rotation Reverser Spring            |
| 6 1" Socket Retainer (alternative 7;8) | 21 Handle Lock Washer     | 37 Valve Seat                        | 53 Rotation Reverser Grub Screw        |
| 7 1" Socket Retaining Ring             | 22 Handle Screw           | 38 Valve Seat Support                | 54 Roller                              |
| 8 1" Socket Retainer O-ring            | 23 Straight Handle        | 39 Valve Pin                         | 55 Pin Roller                          |
| 9 Standard Anvil Shank (1" sq. drive)  | 24 Ring Handle            | 40 Valve Pin Bushing                 | A Whole Motor Housing (19;50+55)       |
| 9L Extended Anvil Shank (1" sq. drive) | 25 Front Cylinder Dowel   | 41 Inside Trigger Handle Screw       | B Whole Inside Trigger Handle (30+42)  |
| 10 Clutch Spring                       | 26 Cylinder               | 42 Inside Trigger Handle Lock Washer | C Whole Hammer Case (1;4)              |
| 11 Clutch Shaft                        | 27 Rear Cylinder Dowel    | 43 Rotor                             | D Front End Plate + Bearing (47;48)    |
| 12 Clutch Spring Washer                | 28 Rear End Plate         | 44 Vane                              | E Rear End Plate + Bearing (28;29)     |
| 13 Clutch Plate                        | 29 Rear Rotor Bearing     | 45 Front End Plate                   | F Anvil Shank +Ring +O-ring (7;8;9/9L) |
| 14 Clutch Cam                          | 30 Inside Trigger Handle  | 46 Front Rotor Bearing               | G Anvil Shank +Ring (6;9/9L)           |
| 15 Clutch Housing Bushing              | 31 Trigger Pin            | 47 Inside Trigger Handle Gasket      |  |