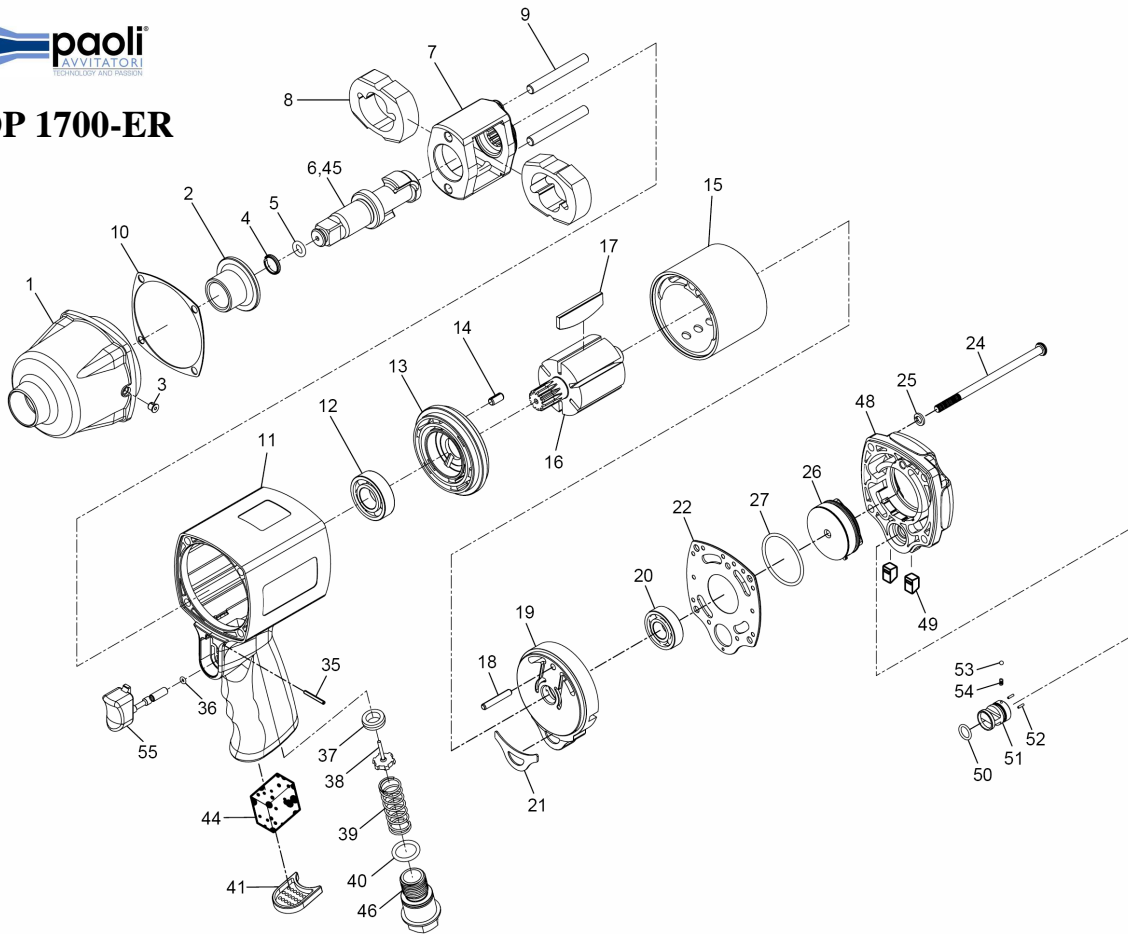


1/2" SQ. DR. IMPACT WRENCH

EXPLODED VIEW



DP 1700-ER



PARTS LIST

Index No.	Parts No.	Description	Qty. Per tool
1	7140-01	Hammer Case	1
2	7140-02	Hammer Case Bushing	1
3	7140-03	Grease Fitting	1
4	7140-04	Socket Retainer Ring	1
5	7140-05	O-Ring	1
6	7140-06	Anvil Shank(1/2")	1
7	7140-07	Hammer Frame	1
8	7140-08	Hammer	2
9	7140-09	Hammer Pin	2
10	7140-10	Hammer Case Gasket	1
11	7140-11	Motor Housing	1
12	7140-12	Ball Bearing	1
13	7140-13	Front End Plate	1
14	7140-14	Spring Pin	1
15	7140-15	Cylinder W/Sleeve	1
16	7140-16	Rotor	1
17	7140-17	Rotor Blade	6
18	7140-18	Spring Pin	1
19	7140-19	Rear End Plate W/Bushing	1
20	7140-20	Ball Bearing	1
21	7140-21	Rear End Plate Gasket	1
22	7140-22	Housing Cap Gasket	1
24	7140-24	Torx Screw	4
25	7140-25	Spring Washer	4

Index No.	Parts No.	Description	Qty. Per tool
26	7140-26	Regulator Dial	1
27	7140-27	O-Ring	1
35	7140-35	Spring Pin	1
36	7140-36	O-Ring	1
37	7140-37	Valve Seat	1
38	7140-38	Valve	1
39	7140-39	Valve Spring	1
40	7140-40	O-Ring	1
41	7140-41	Deflector	1
44	7140-44	Muffler Foam	1
45	7140-45	2" Long Anvil	1
46	7140-46	Inlet Bushing	1
48	7140ER-48	Housing Cap	1
49	7140ER-49	Push Button	2
50	7140ER-50	O-Ring	1
51	7140ER-51	Reverse Valve	1
52	7140ER-52	Needle Pin	2
53	7140ER-53	Steel Ball	1
54	7140ER-54	Regulator Spring	1
55	7140ER-55	Trigger	1

The types and specifications may be changed without notice.
7140ER 200609S